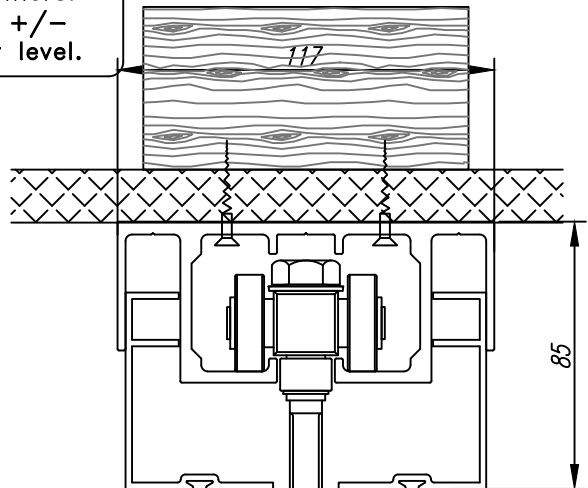
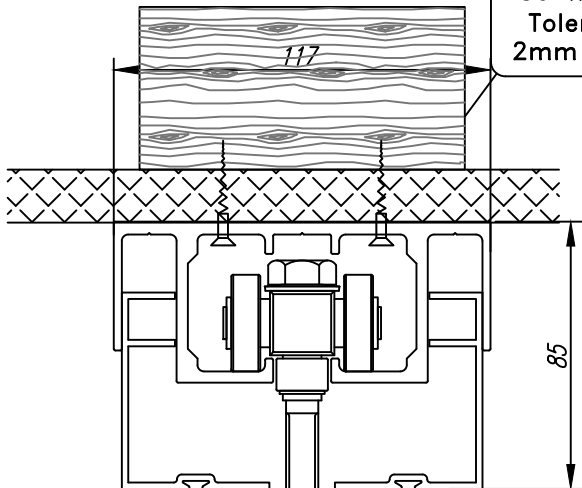


All necessary supportwork including timber head (100 x 50 min) by others. Tolerance of +/- 2mm on floor level.



Silicone Seals

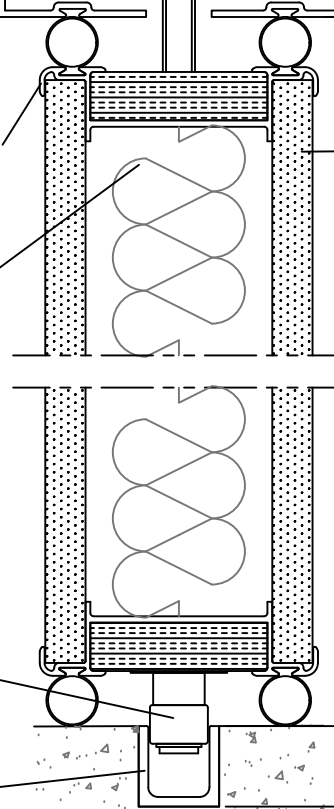
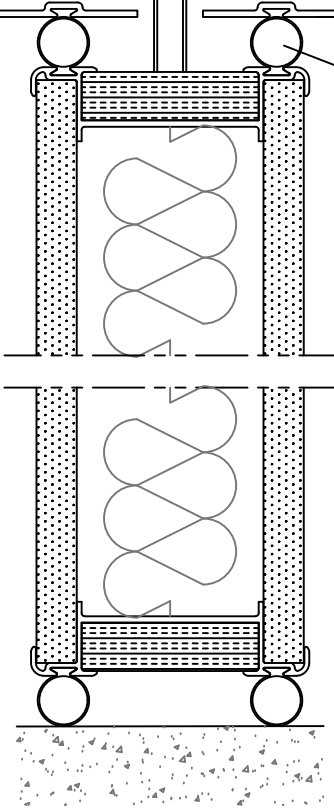
Aluminium Frame

High Density Facing Board

Mineral Wool

Bottom Guide

Floor Channel



CENTREFOLD

ENDFOLD

MG200

SECTION TOP HUNG @ HEAD & BASE

ModernGlide Ltd

Unit 15A, Highway Farm, Horsley Road, Cobham, Surrey, KT11 3JZ

www.modernglide.co.uk

