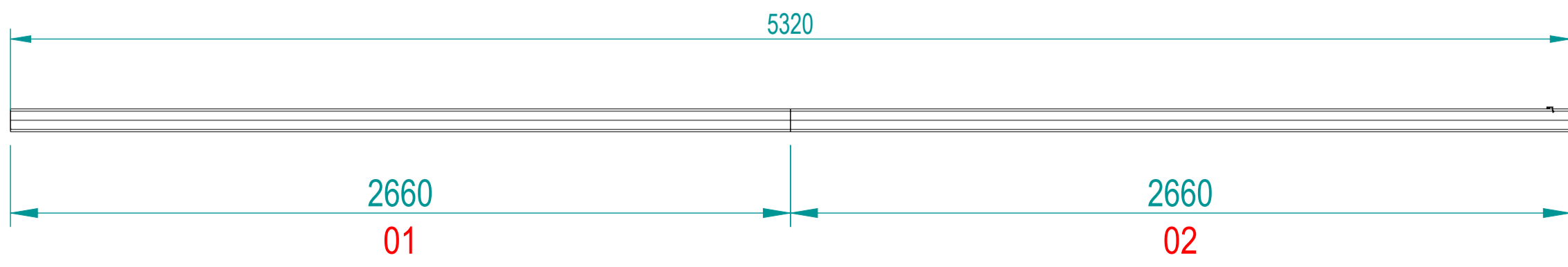
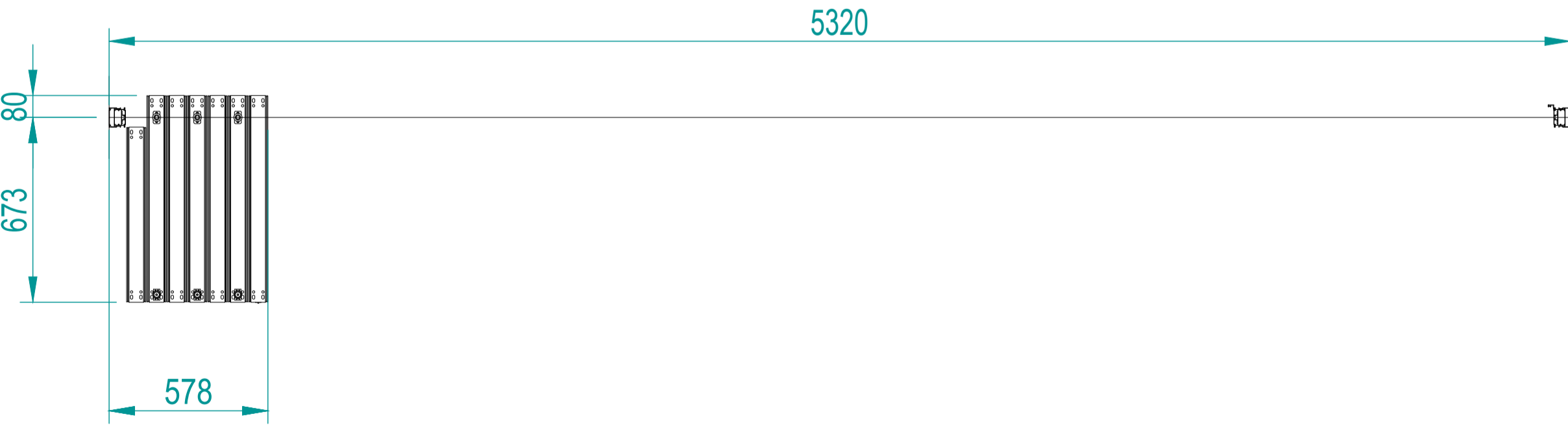
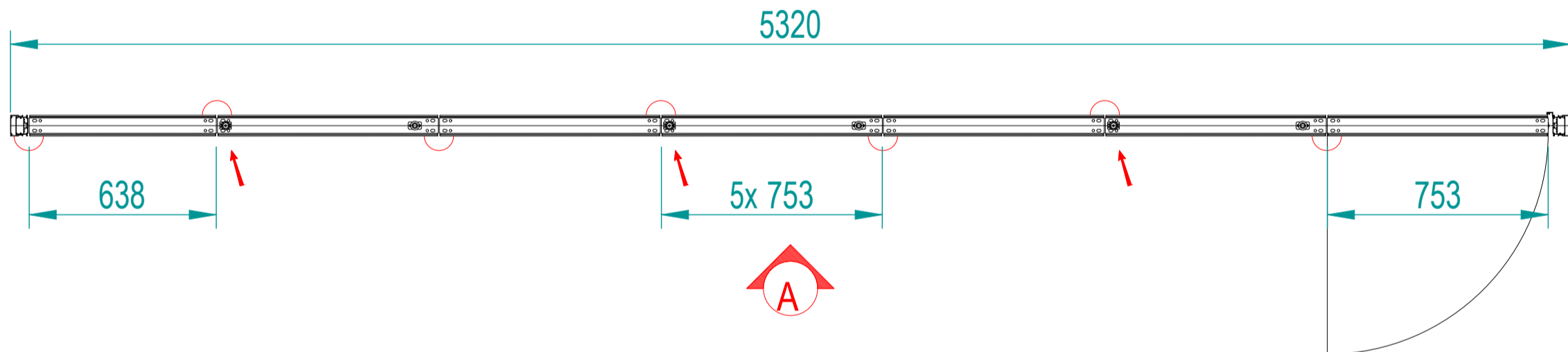
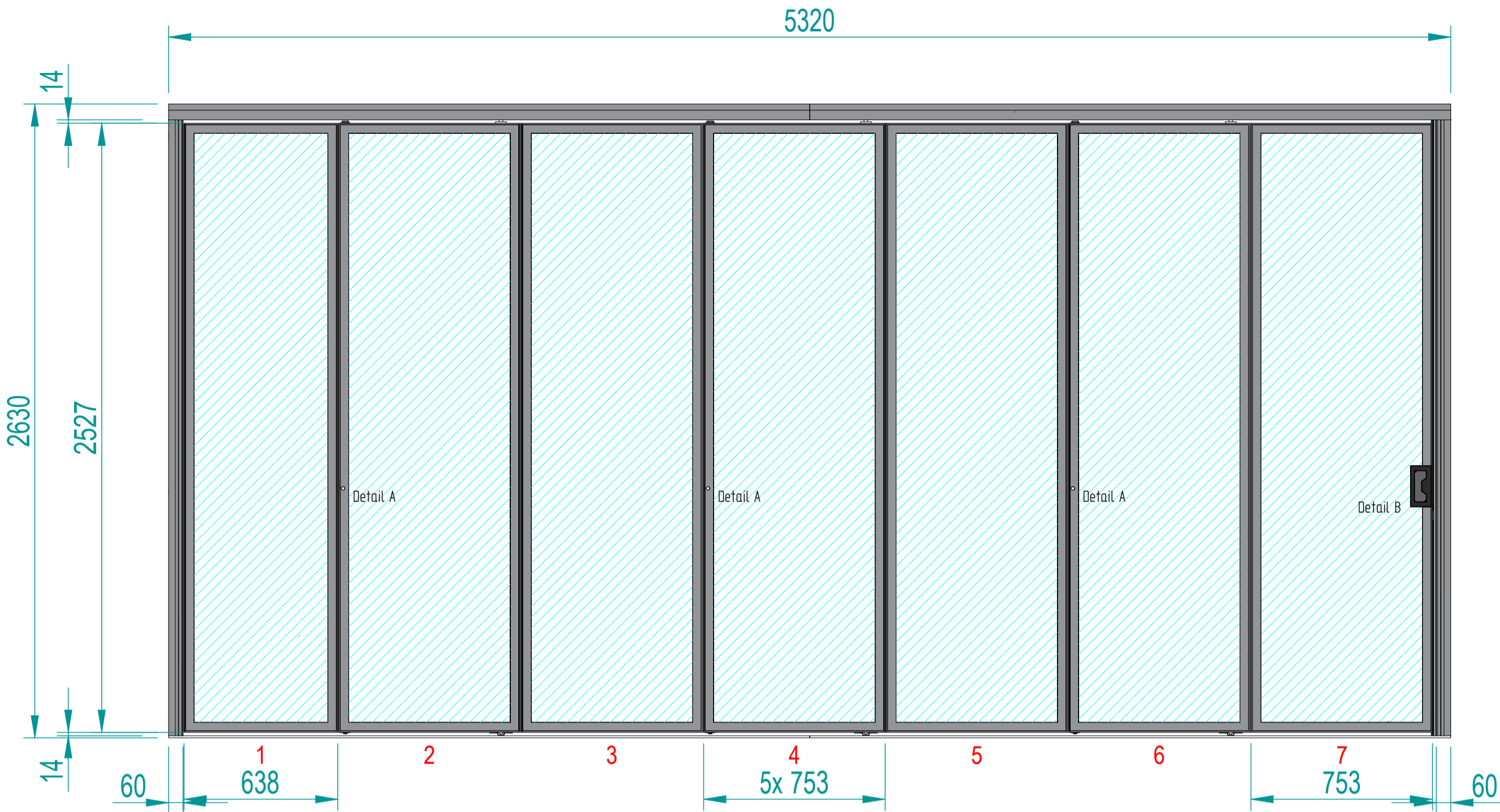


MG500 Endfolding Single Wing



VERSION 2 DATE:

DRAWN AND
VERIFIED BY:

STATUS: LAYOUT APPROVAL



No. SETS: X1

OPERATION:		TYPE:	
MANUAL	<input checked="" type="checkbox"/>	<input type="checkbox"/>	SOLID
SEMI-AUTO	<input type="checkbox"/>	<input checked="" type="checkbox"/>	GLASS
FULL-AUTO	<input type="checkbox"/>	<input type="checkbox"/>	MULTI

SUSPENSION:

SINGLE POINT TRACK	<input type="checkbox"/>
TWIN POINT TRACK	<input type="checkbox"/>
MG500 TRACK	<input checked="" type="checkbox"/>

PANEL UNITS	QTY.
BASIC PANEL	<input type="text" value="2"/>
PANEL W/ MECHANISM	<input type="text" value="3"/>
DOOR PANEL	<input type="text" value="1"/>
START UP PANEL	<input type="text" value="1"/>
START UP PROFILE	<input type="text" value="1"/>
JAMB PROFILE	<input type="text" value="1"/>
OTHER: SPECIFY	<input type="text"/>
OTHER: SPECIFY	<input type="text"/>
OTHER: SPECIFY	<input type="text"/>
OTHER: SPECIFY	<input type="text"/>

PANEL FINISH: 5mm tempered clear glass

TRACK FINISH:

ALUM. PROFILES FINISH:

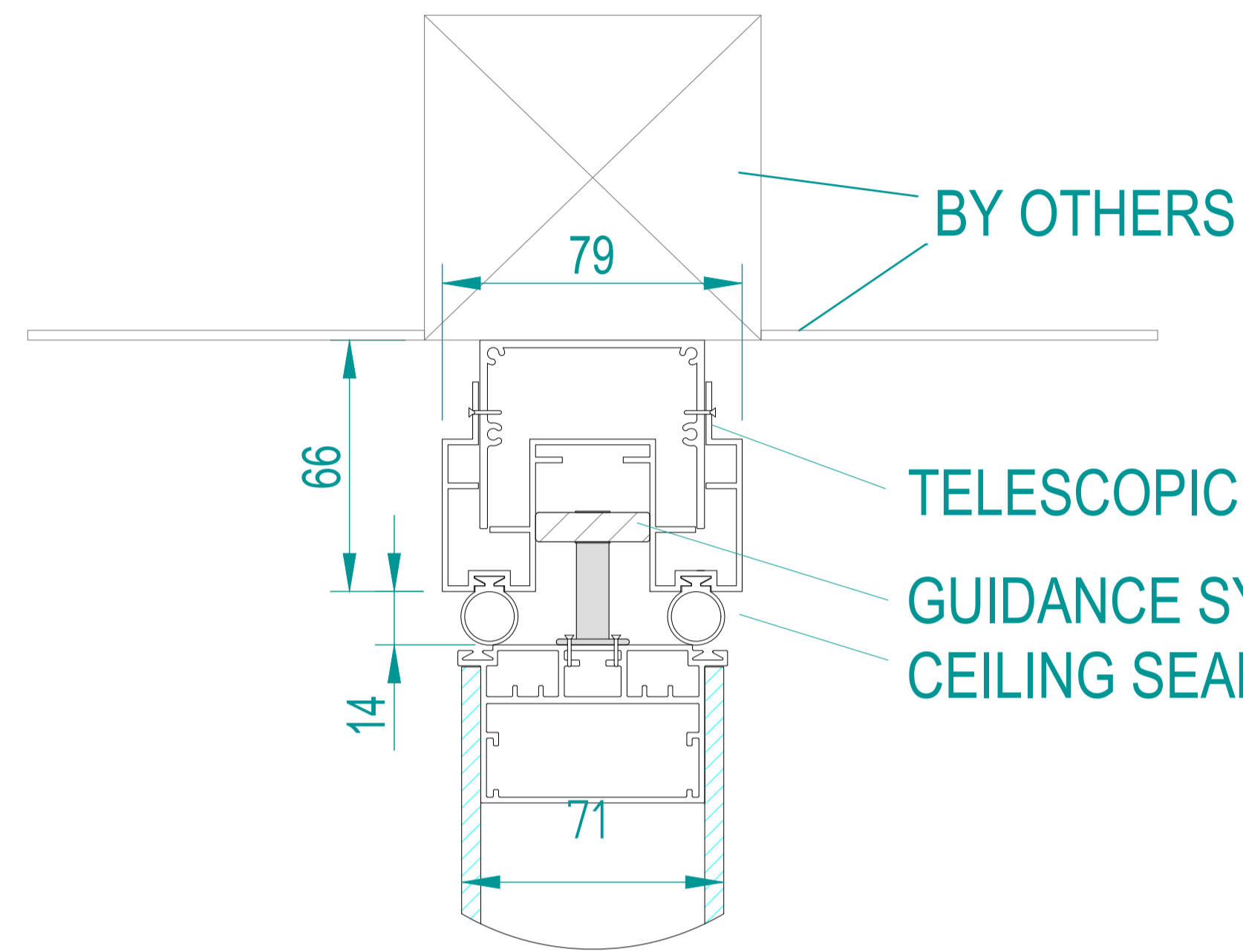
HEIGHT - FLOOR TO FALSE CEILING:

HEIGHT - FLOOR TO TRACK :

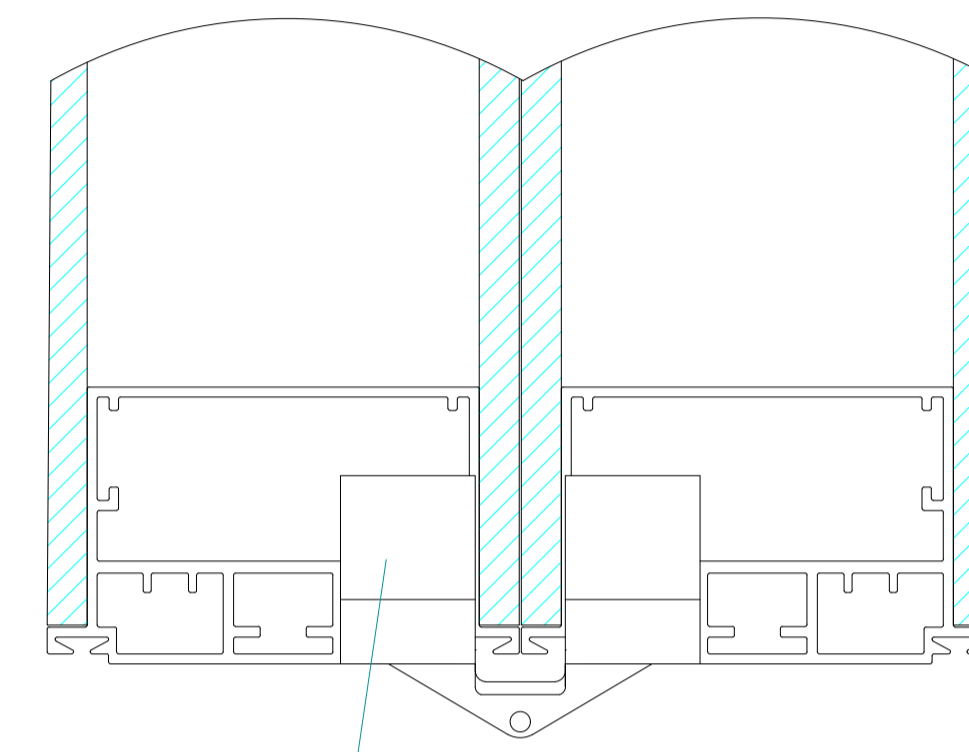
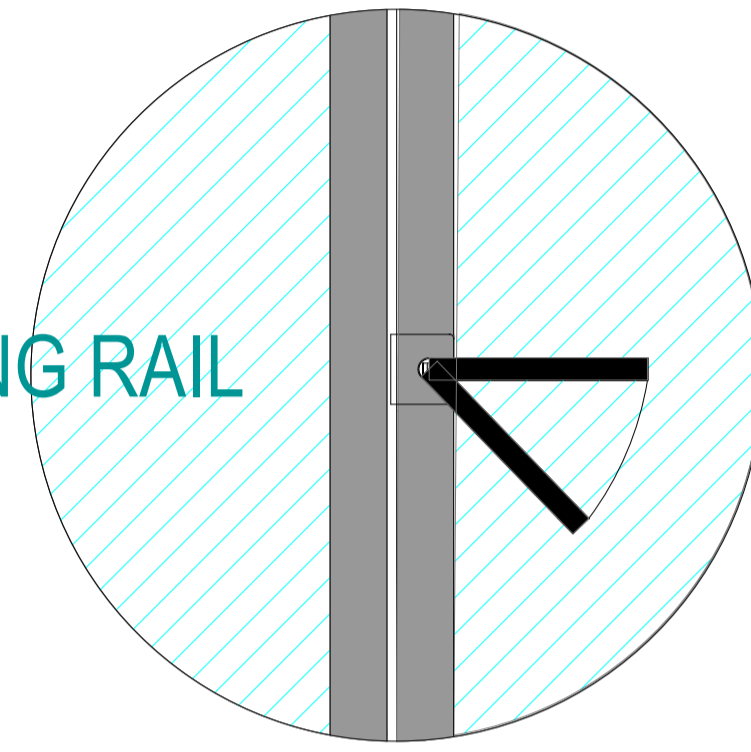
WEIGHT:

UNITS:
mm

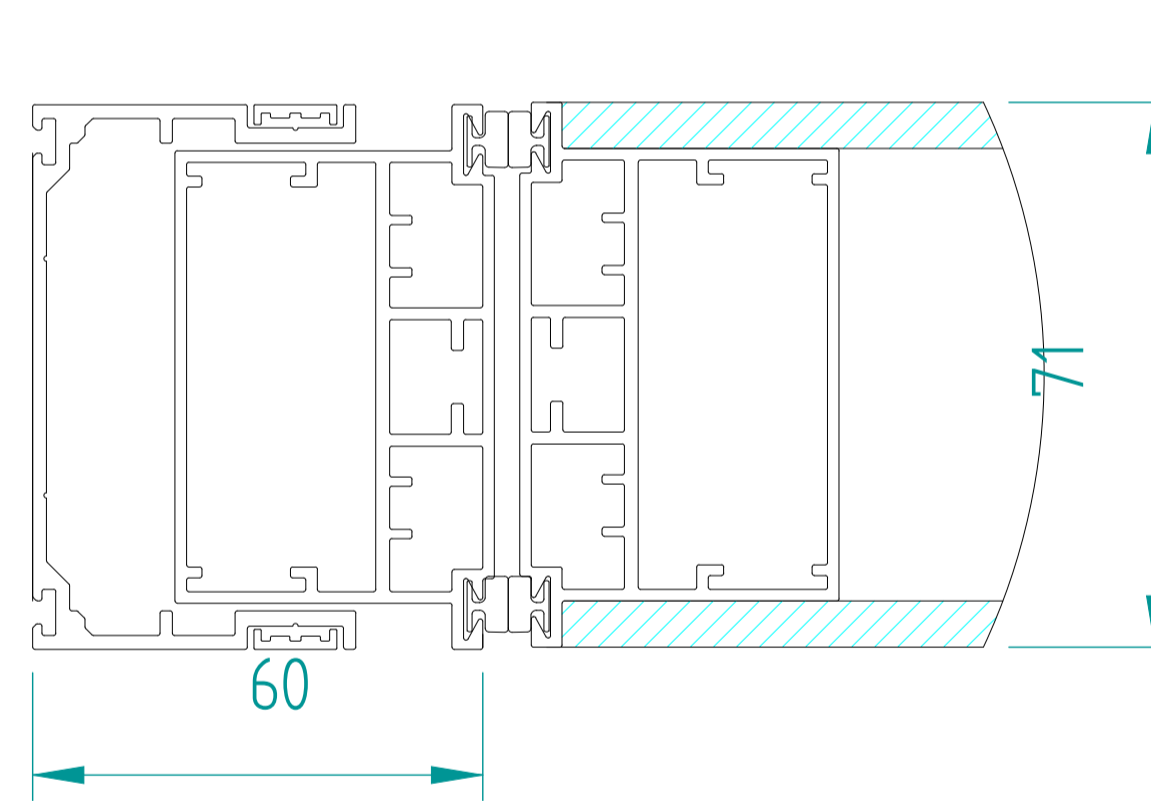
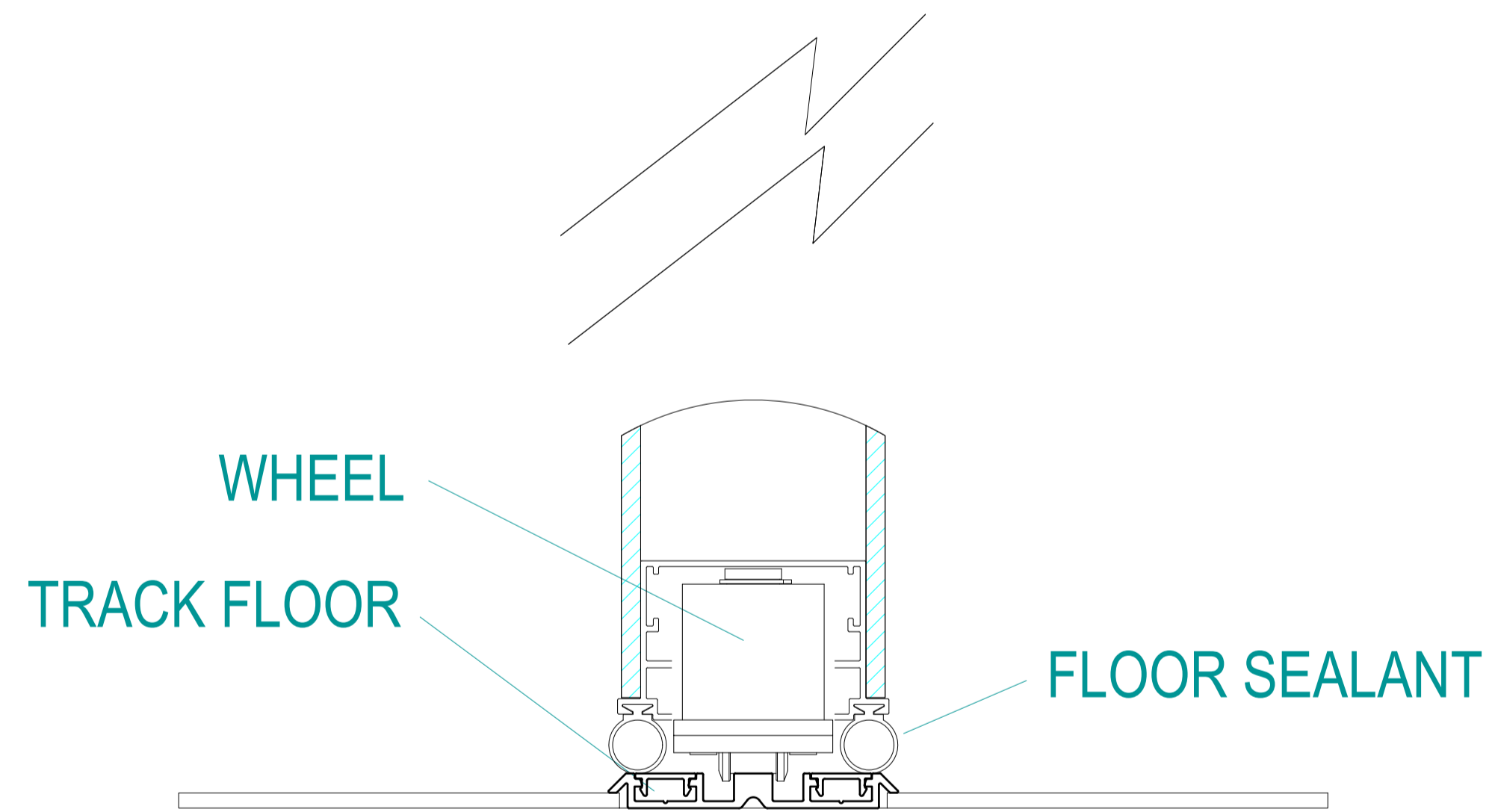
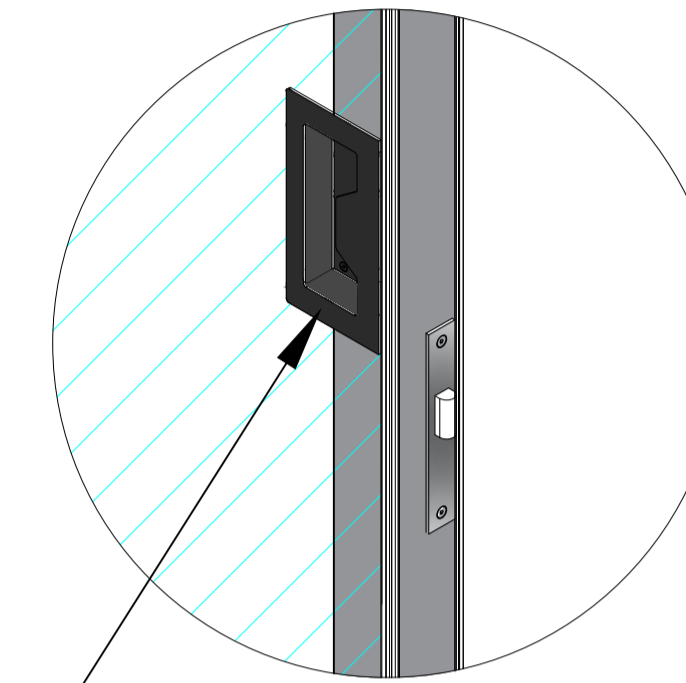
MG500 Endfolding Single Wing



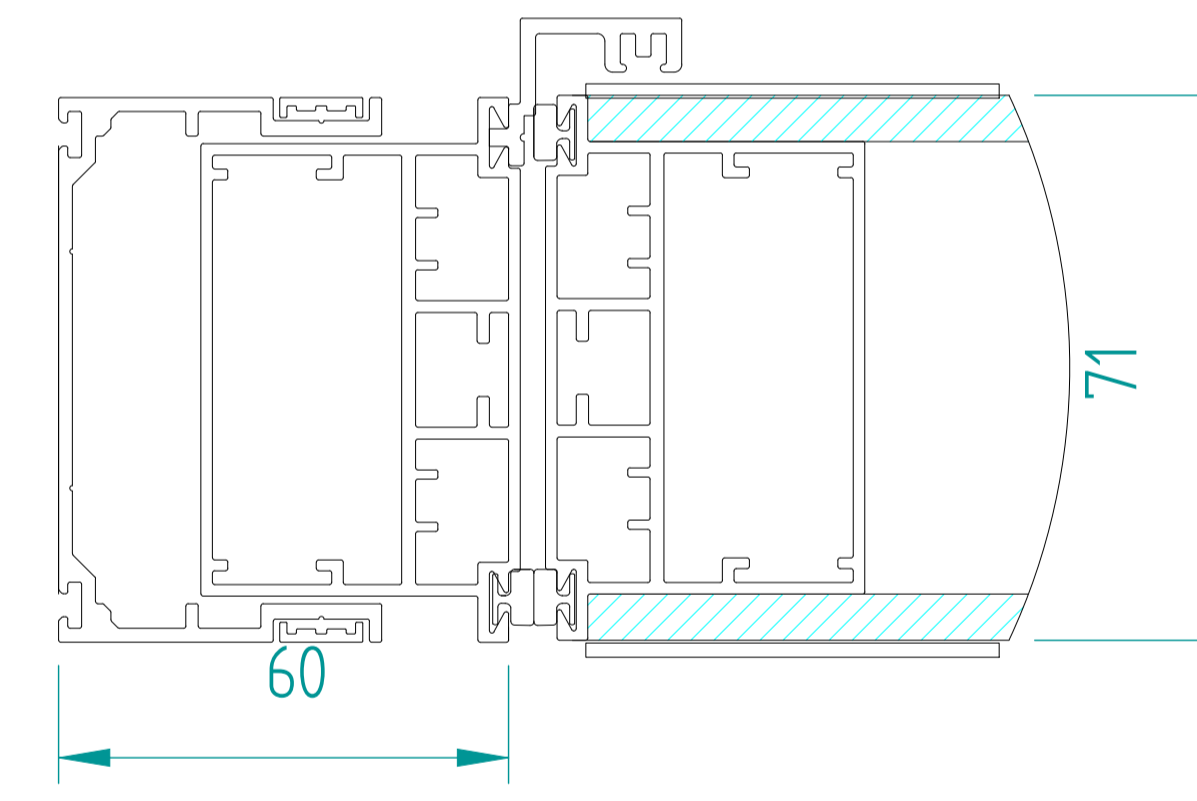
Detail A



Detail B

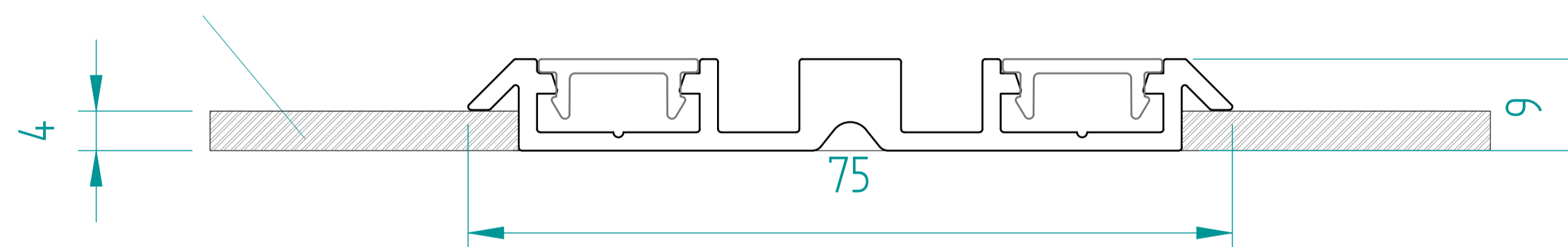


WALL JAMB



TELESCOPIC JAMB/DOOR STOP

FINISHED FLOOR



VERSION 2 DATE:

DRAWN AND
VERIFIED BY:

STATUS: LAYOUT APPROVAL



No. SETS: X1

OPERATION:

- MANUAL
- SEMI-AUTO
- FULL-AUTO

TYPE:

- SOLID
- GLASS
- MULTI

SUSPENSION:

- SINGLE POINT TRACK
- TWIN POINT TRACK
- MG500 TRACK

PANEL UNITS QTY.

BASIC PANEL	<input type="text" value="2"/>
PANEL W/ MECHANISM	<input type="text" value="3"/>
DOOR PANEL	<input type="text" value="1"/>
START UP PANEL	<input type="text" value="1"/>
START UP PROFILE	<input type="text" value="1"/>
JAMB PROFILE	<input type="text" value="1"/>
OTHER: SPECIFY	<input type="text"/>
OTHER: SPECIFY	<input type="text"/>
OTHER: SPECIFY	<input type="text"/>
OTHER: SPECIFY	<input type="text"/>

PANEL FINISH: 5mm tempered clear glass

TRACK FINISH:

ALUM. PROFILES FINISH:

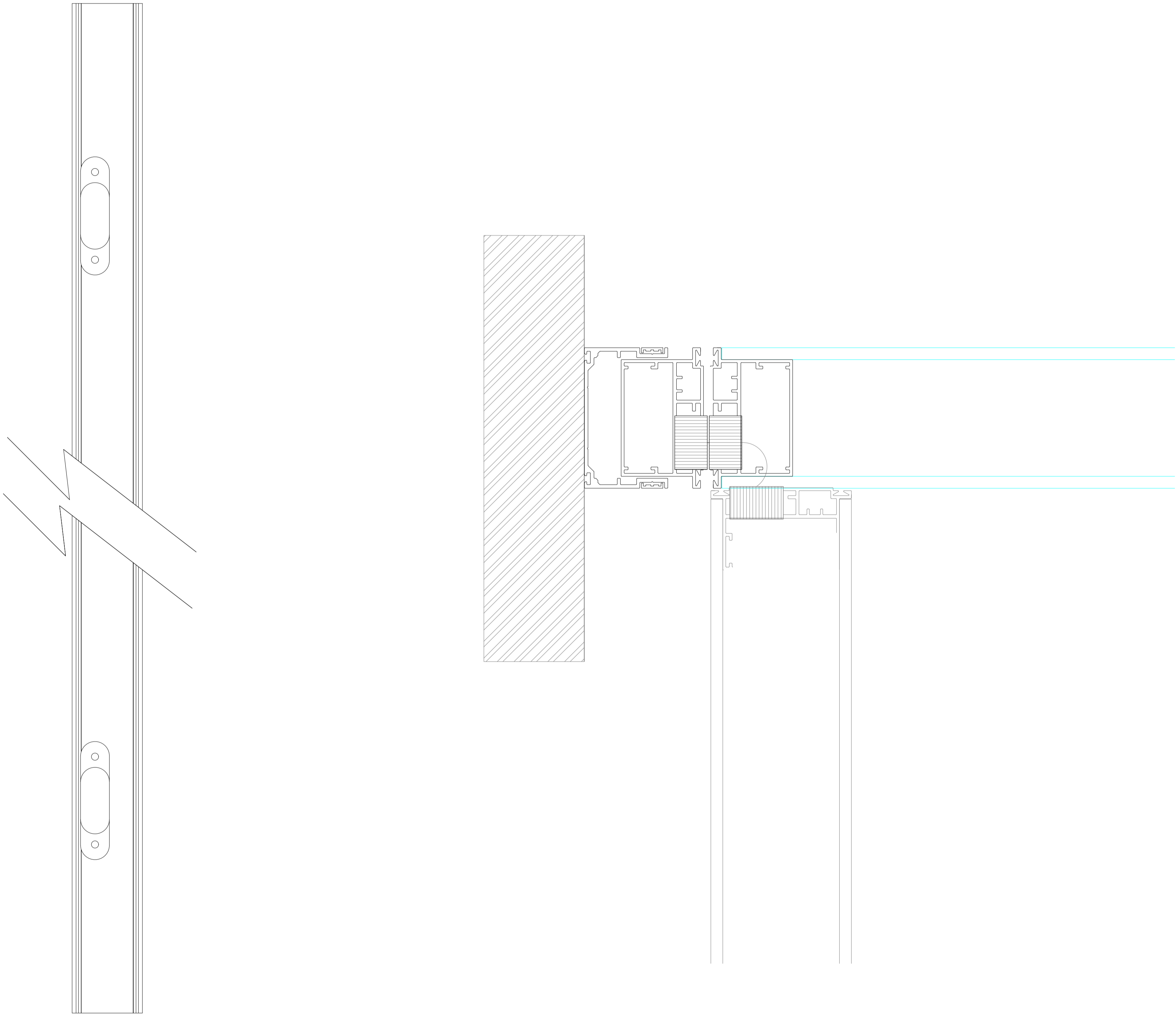
HEIGHT - FLOOR TO FALSE CEILING:
HEIGHT - FLOOR TO TRACK :

WEIGHT:

UNITS:
mm

MG500 Endfolding Single Wing

Wall Jamb Position



HINGES ON THE LEFT SIDE

VERSION 2 DATE:

DRAWN AND
VERIFIED BY:

STATUS: LAYOUT APPROVAL



No. SETS: X1

OPERATION:		TYPE:	
MANUAL	<input checked="" type="checkbox"/>	SOLID	<input type="checkbox"/>
SEMI-AUTO	<input type="checkbox"/>	GLASS	<input checked="" type="checkbox"/>
FULL-AUTO	<input type="checkbox"/>	MULTI	<input type="checkbox"/>

SUSPENSION:

SINGLE POINT TRACK	<input type="checkbox"/>
TWIN POINT TRACK	<input type="checkbox"/>
MG500 TRACK	<input checked="" type="checkbox"/>

PANEL UNITS	QTY.
BASIC PANEL	<input type="text" value="2"/>
PANEL W/ MECHANISM	<input type="text" value="3"/>
DOOR PANEL	<input type="text" value="1"/>
START UP PANEL	<input type="text" value="1"/>
START UP PROFILE	<input type="text" value="1"/>
JAMB PROFILE	<input type="text" value="1"/>
OTHER: SPECIFY	<input type="text"/>
OTHER: SPECIFY	<input type="text"/>
OTHER: SPECIFY	<input type="text"/>
OTHER: SPECIFY	<input type="text"/>

PANEL FINISH: 5mm tempered clear glass

TRACK FINISH:

ALUM. PROFILES FINISH:

HEIGHT - FLOOR TO FALSE CEILING:
HEIGHT - FLOOR TO TRACK :

WEIGHT:

UNITS:
mm