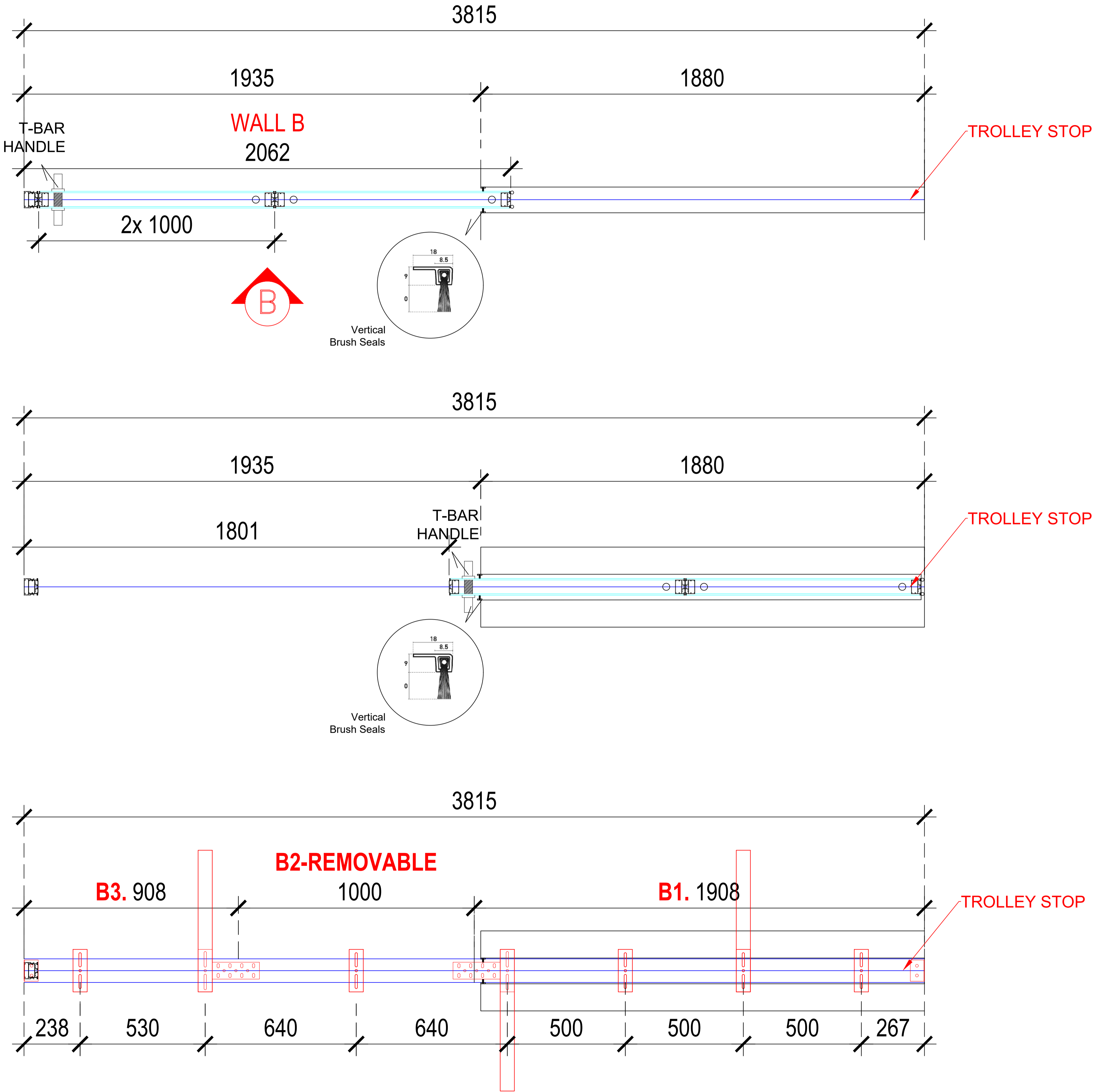




# MG500 Sliding Door Panel



VERSION 2

DRAWN AND CHECKED BY:

No. SETS:

OPERATION:

MANUAL

TYPE:

SUSPENSION:

DOUBLE POINT TRACK

PANEL UNITS

QT.

SEGMENTED SLIDING PANEL

WALL JAMB

PANEL FINISH:

TRACK FINISH: RAL

PROFILE FINISH: RAL

HANDLE FINISH: RAL

HEIGHT - FLOOR TO FALSE CEILING: 2700mm

HEIGHT - FLOOR TO TRACK: 2690mm

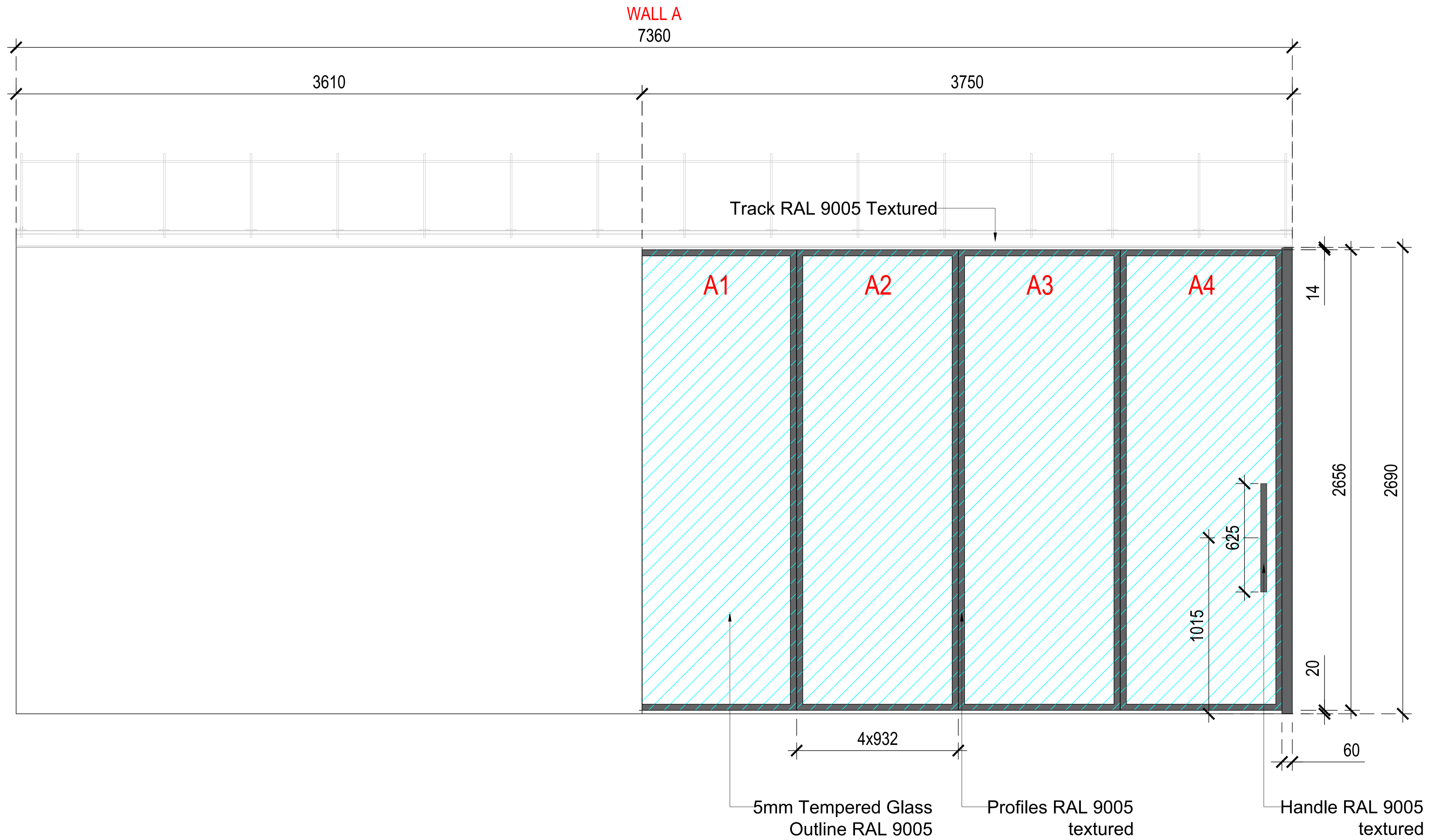
WEIGHT:

UNITS

OBS:

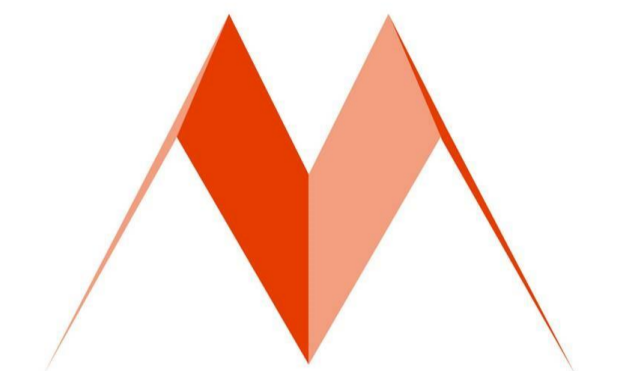
mm

# MG500 Sliding Door Panel



VERSION 2

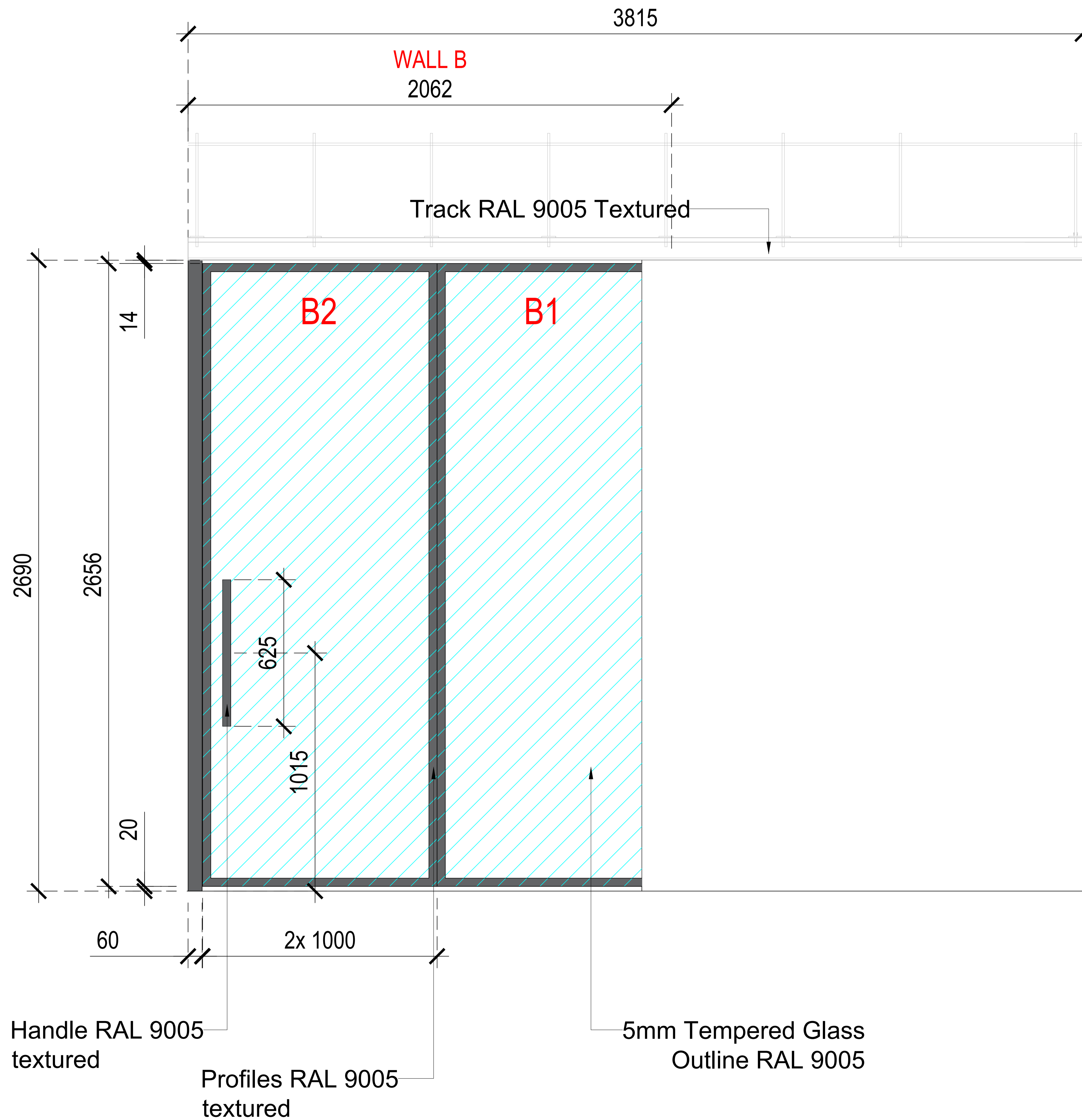
DRAWN AND CHECKED BY:



**MODERNGLIDE**  
WALLS THAT MOVE

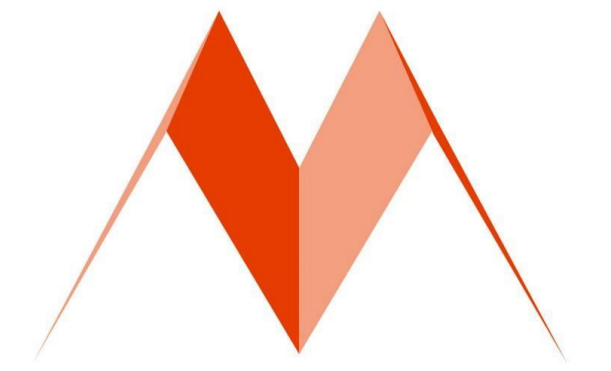
No. SETS: X2	
OPERATION:	TYPE:
MANUAL	
SUSPENSION:	
DOUBLE POINT TRACK	
PANEL UNITS	QT.
SEGMENTED SLIDING PANEL	1
WALL JAMB	1

PANEL FINISH:		
TRACK FINISH: RAL		
PROFILE FINISH: RAL		
HANDLE FINISH: RAL		
HEIGHT - FLOOR TO FALSE CEILING: 2700mm		
HEIGHT - FLOOR TO TRACK: 2690mm		
WEIGHT:		UNITS
OBS:		mm



VERSION 2

DRAWN AND CHECKED BY:



**MODERNGLIDE**  
WALLS THAT MOVE

No. SETS:

OPERATION:

MANUAL

TYPE:

SUSPENSION:

DOUBLE POINT TRACK

PANEL UNITS

QT.

SEGMENTED SLIDING PANEL

1

WALL JAMB

1

PANEL FINISH:

TRACK FINISH: RAL

PROFILE FINISH: RAL

HANDLE FINISH: RAL

HEIGHT - FLOOR TO FALSE CEILING: 2700mm

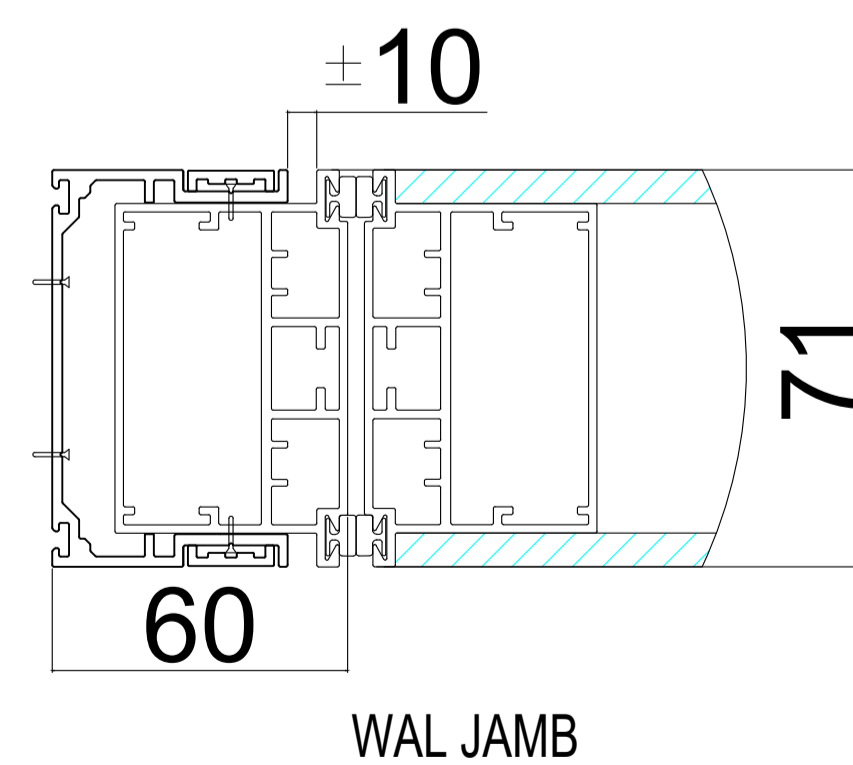
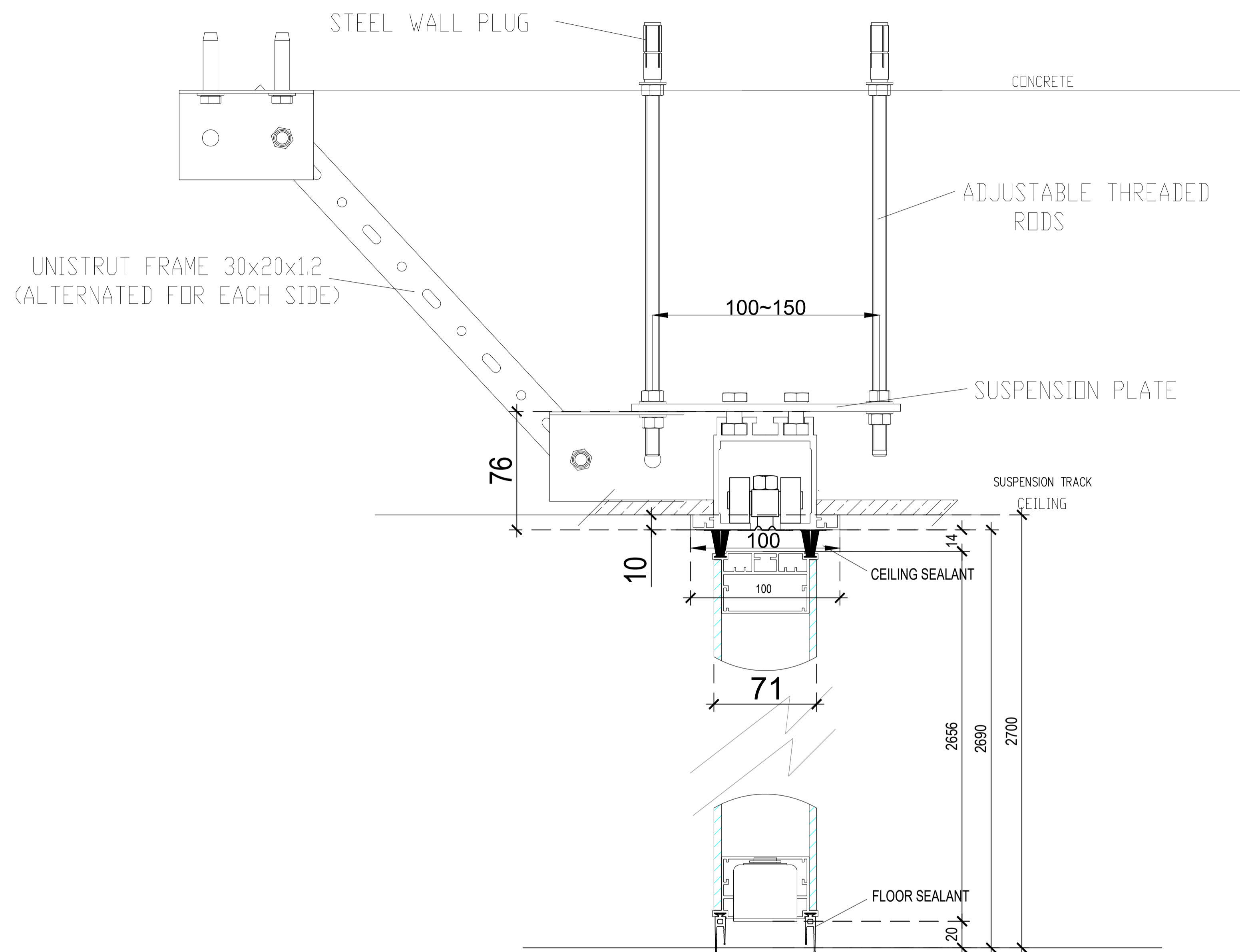
HEIGHT - FLOOR TO TRACK: 2690mm

WEIGHT:

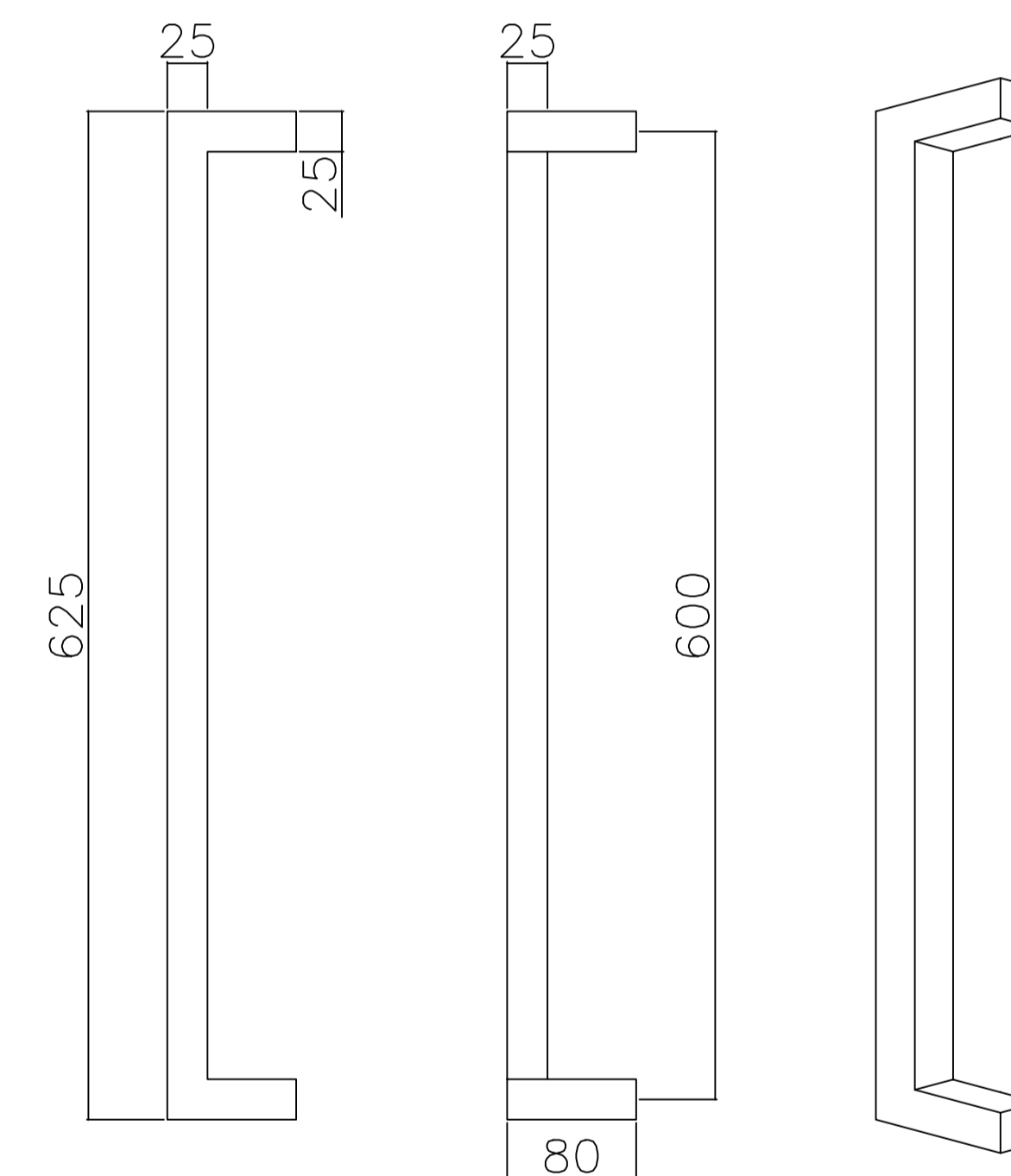
UNITS

OBS:

mm



## HANDLE DETAILS



VERSION 2

DRAWN AND CHECKED BY:



No. SETS:

OPERATION:

MANUAL

TYPE:

SUSPENSION:

DOUBLE POINT TRACK

PANEL UNITS

QT.

SEGMENTED SLIDING PANEL

1

WALL JAMB

1

PANEL FINISH:

TRACK FINISH: RAL

PROFILE FINISH: RAL

HANDLE FINISH: RAL

HEIGHT - FLOOR TO FALSE CEILING: 2700mm

HEIGHT - FLOOR TO TRACK: 2690mm

WEIGHT:

UNITS

OBS:

mm