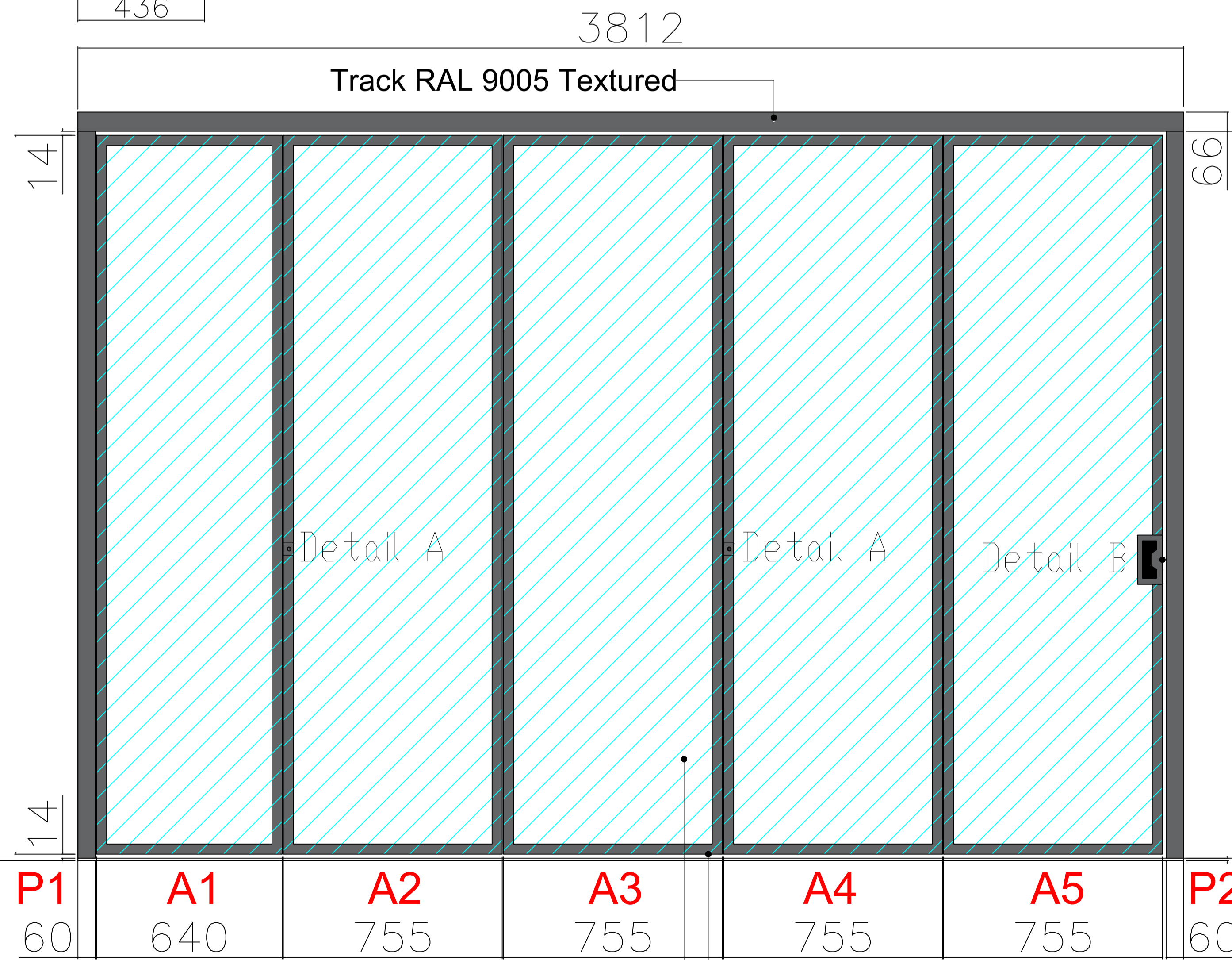
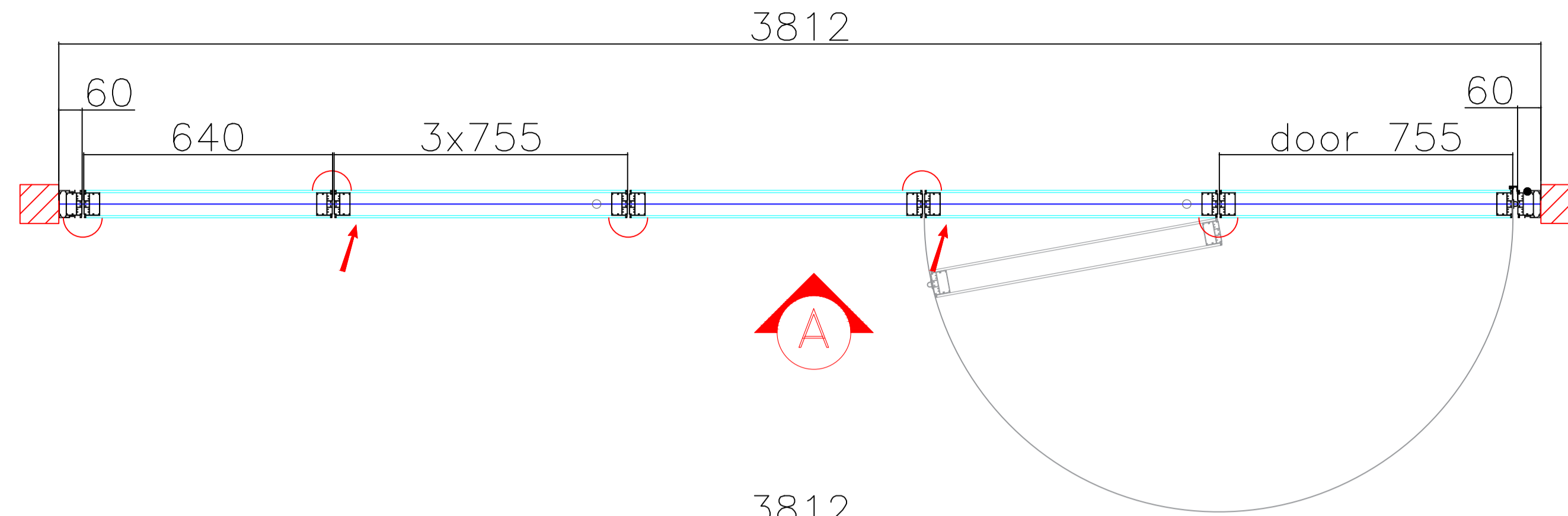


# MG900 End Folding Hinged Sliding Folding



(Outline RAL 9005) Aluminum profiles (RAL 9005 Textured)

VERSION 2

DRAWN AND CHECKED BY:



No. SETS: X1

OPERATION:

TYPE:

SUSPENSION:

PANEL UNITS	QT.
START-UP / DOOR PROFILE	2
START-UP PANEL	1
MECHANISM PANEL	1
BASIC PANEL	1
DOOR SUPPORT PANEL	1
DOOR PANEL	1

PANEL FINISH:

TRACK FINISH: RAL

PROFILE FINISH: RAL

HANDLE FINISH: RAL

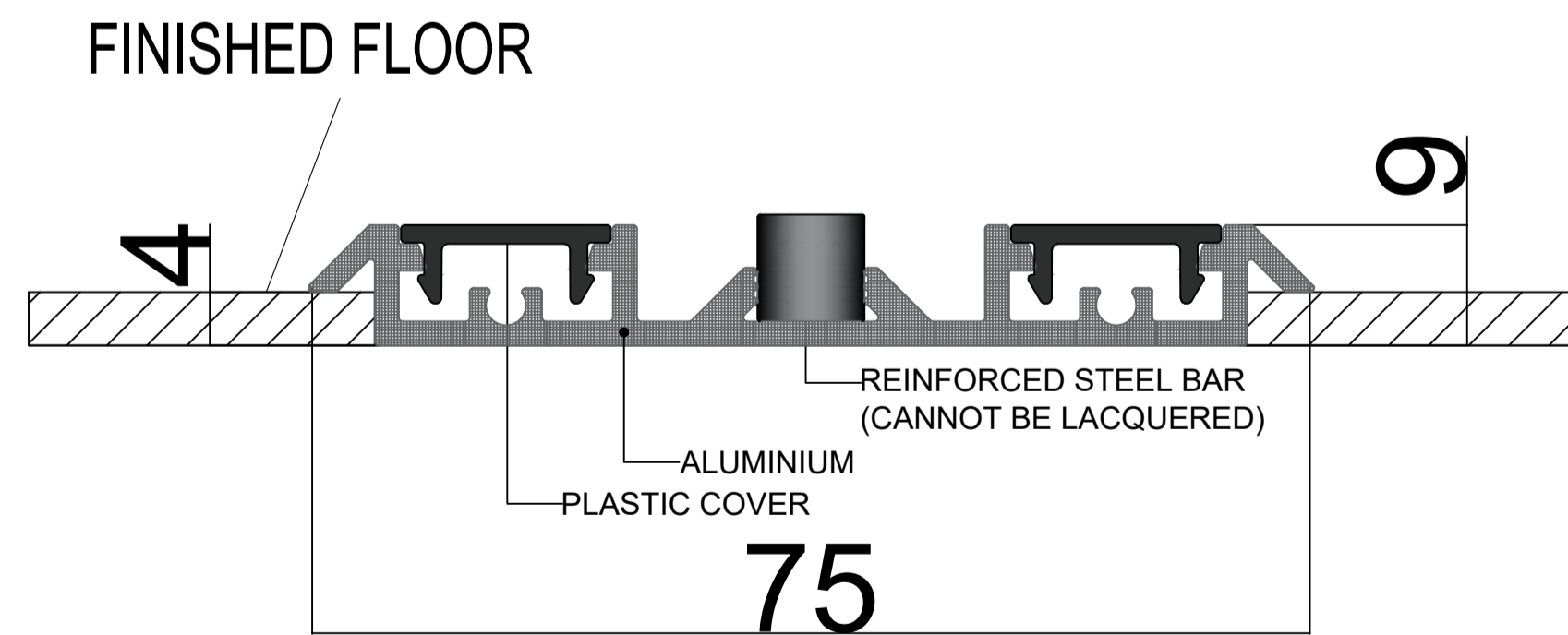
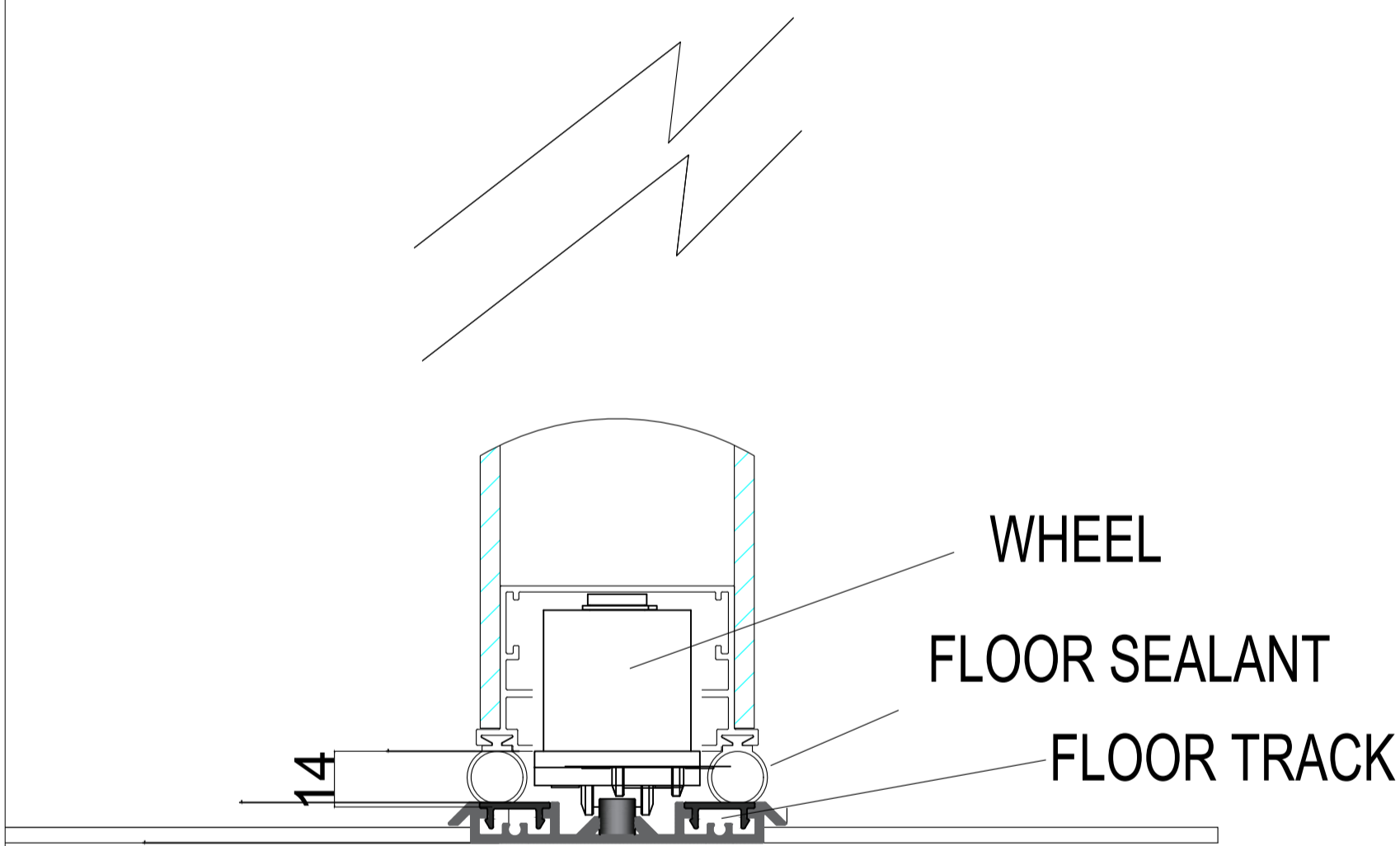
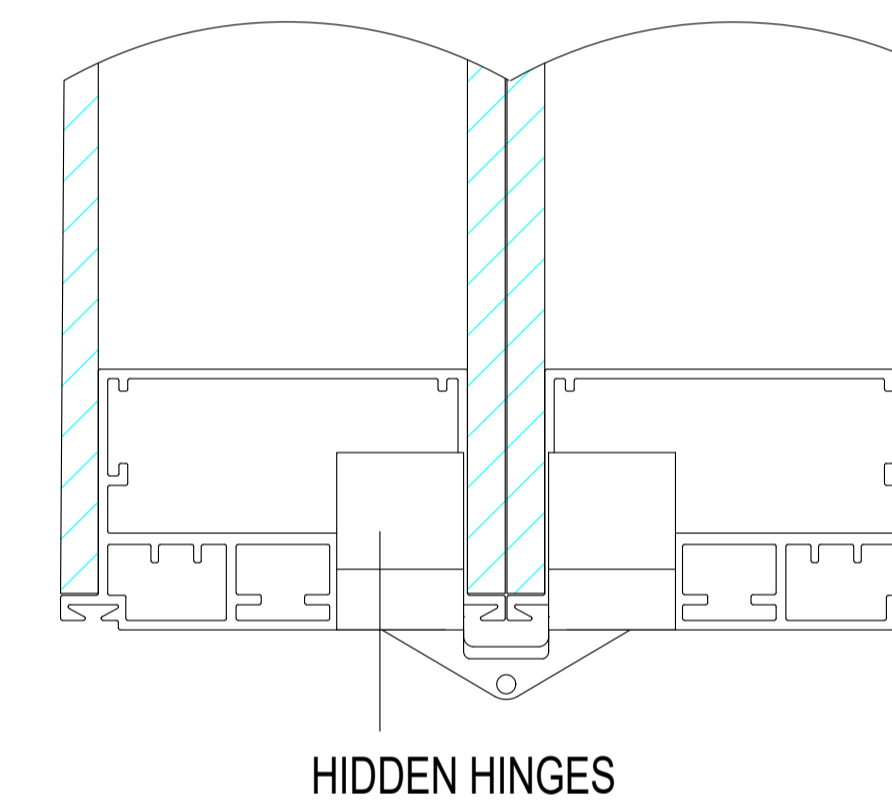
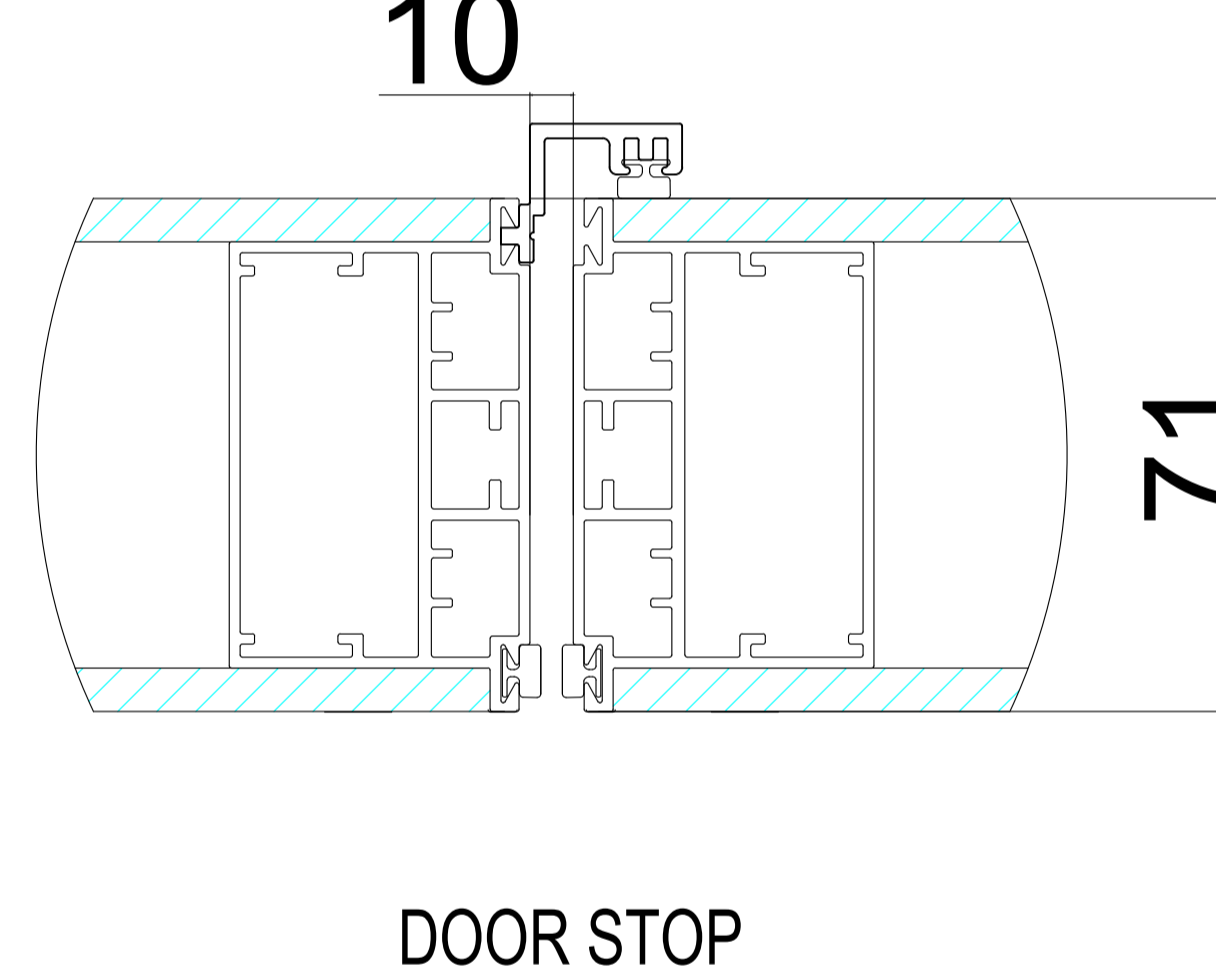
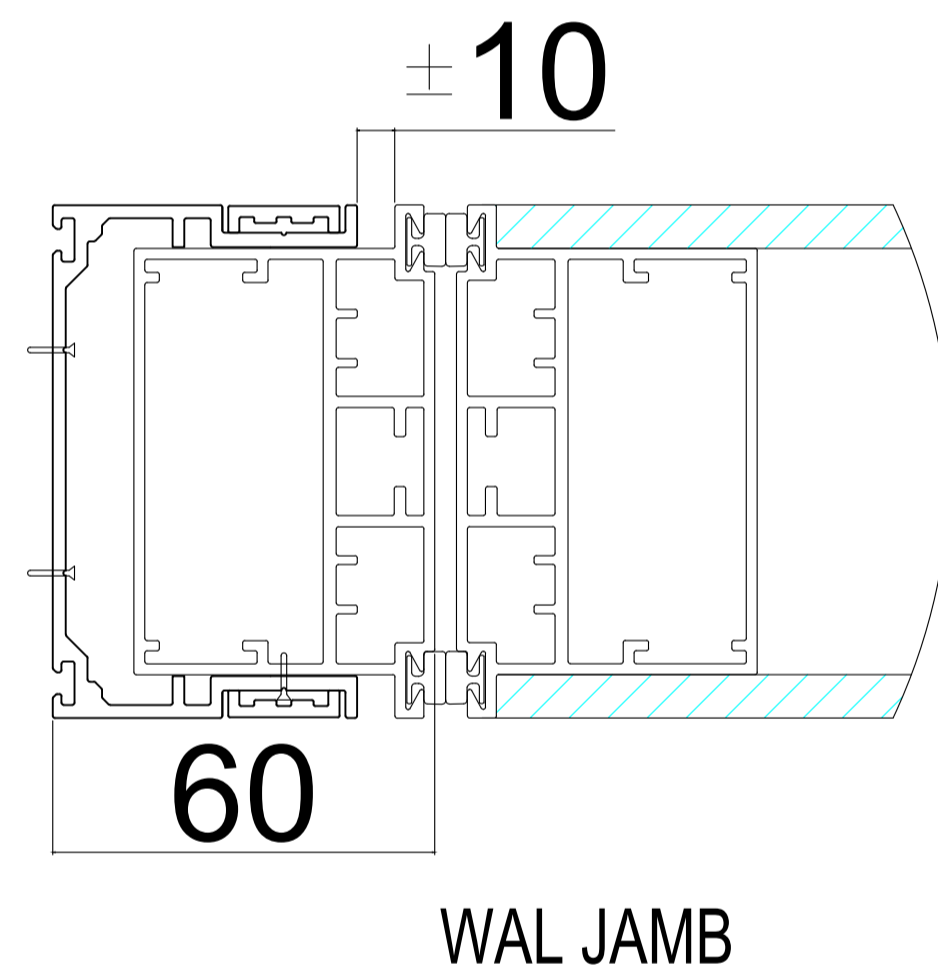
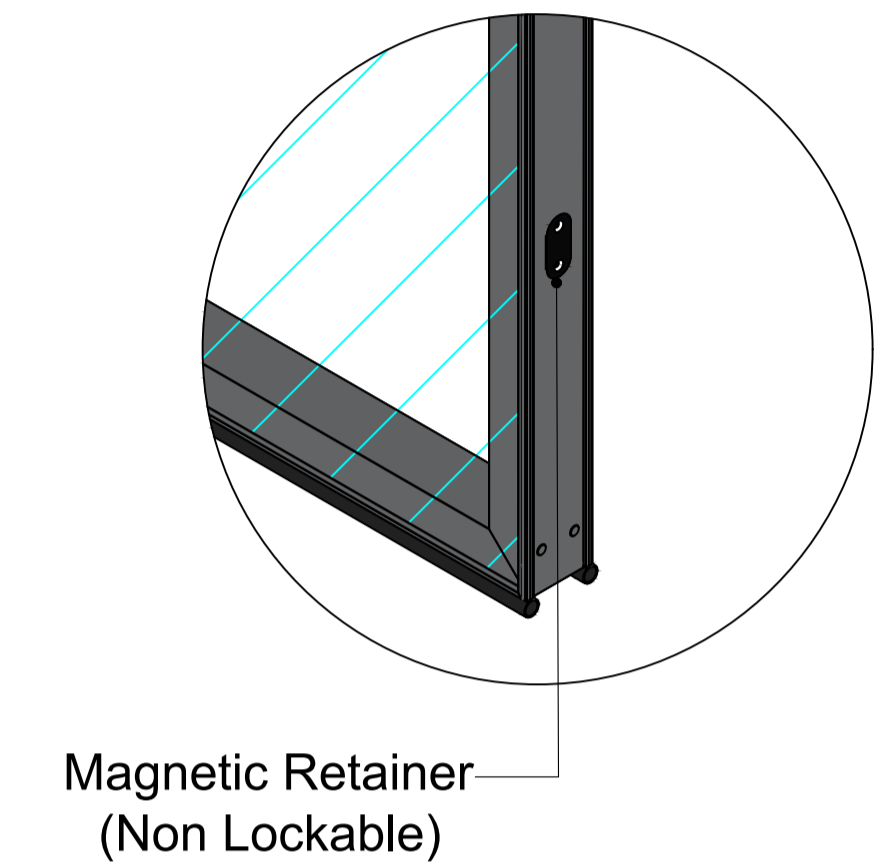
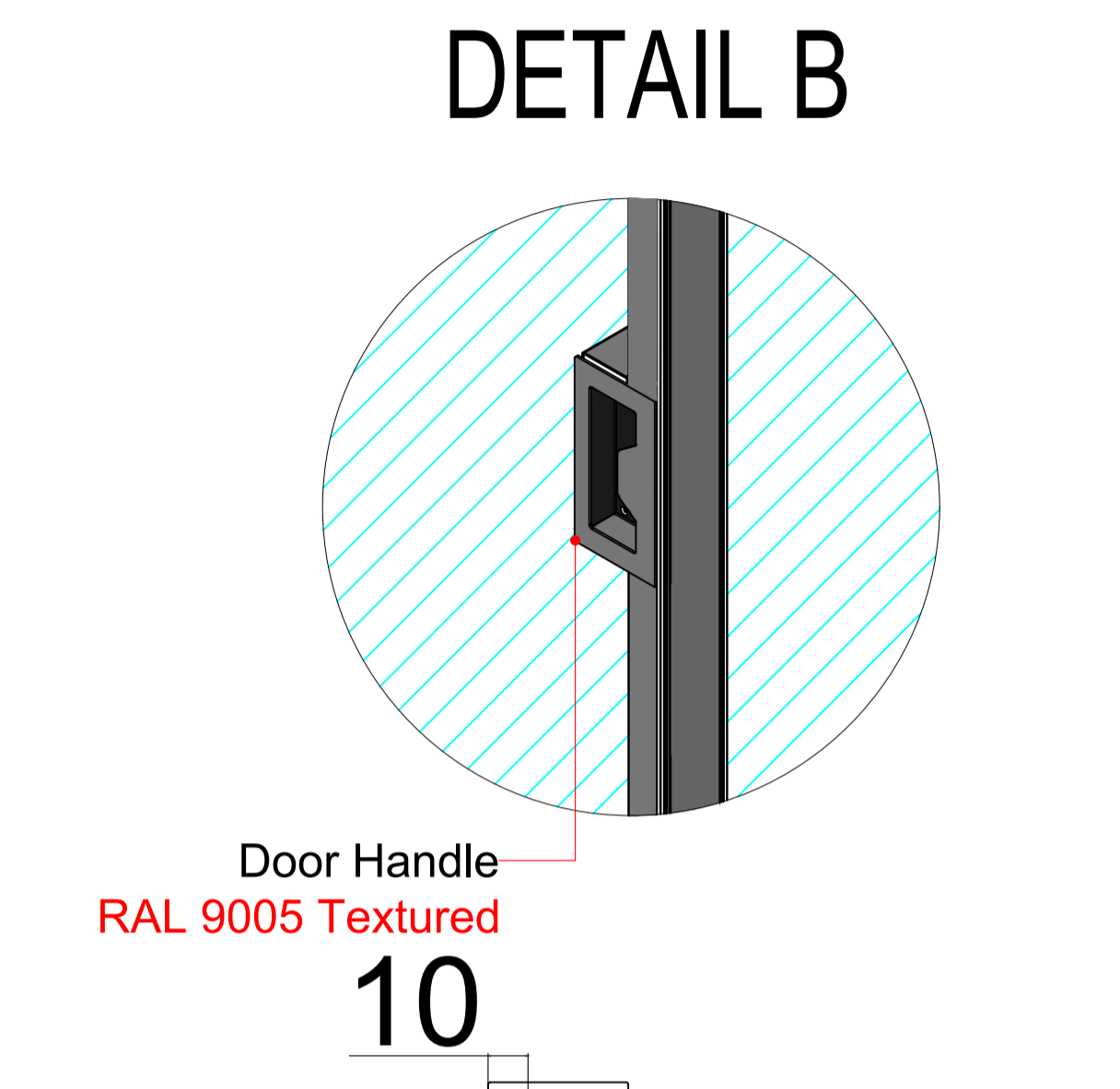
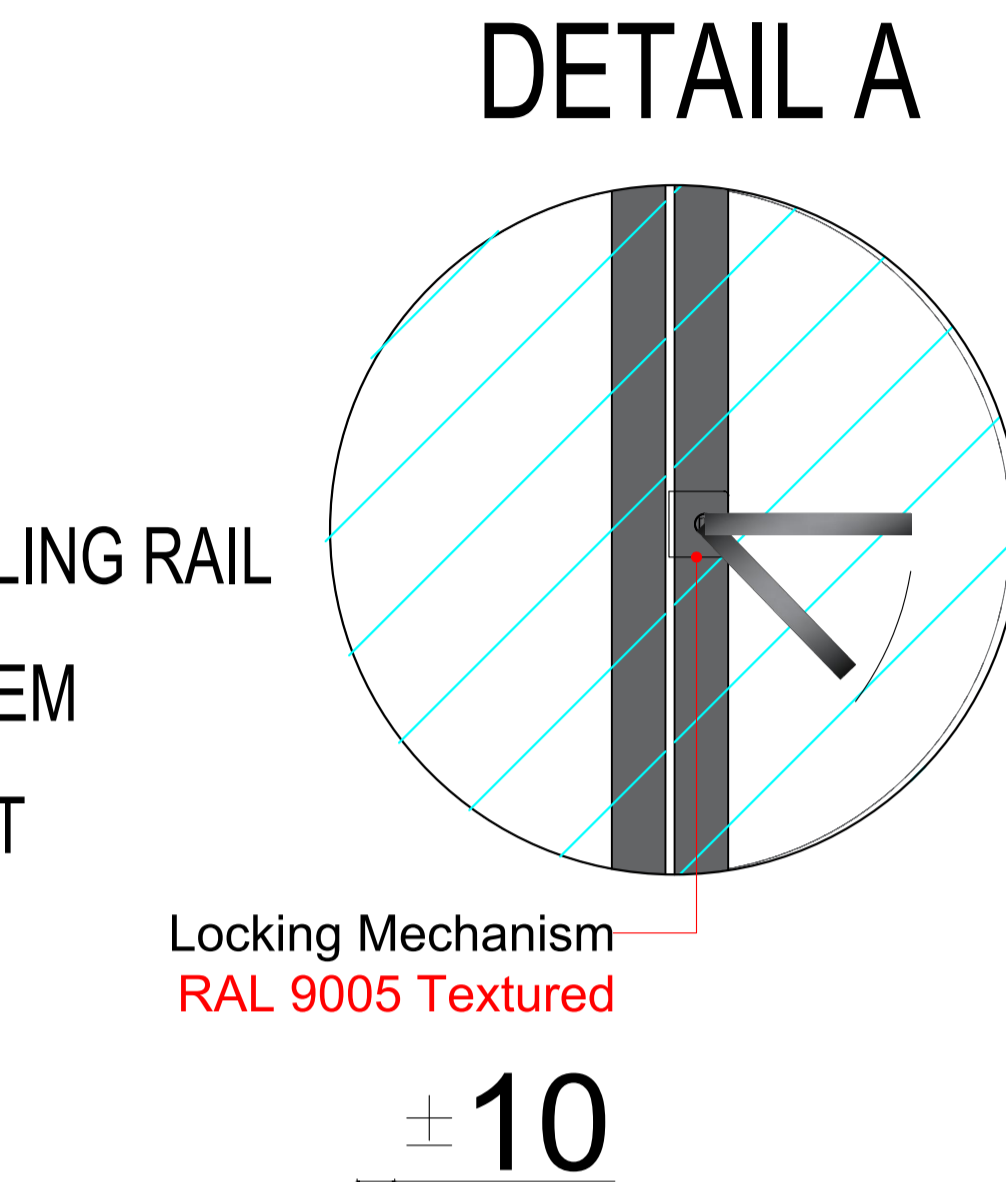
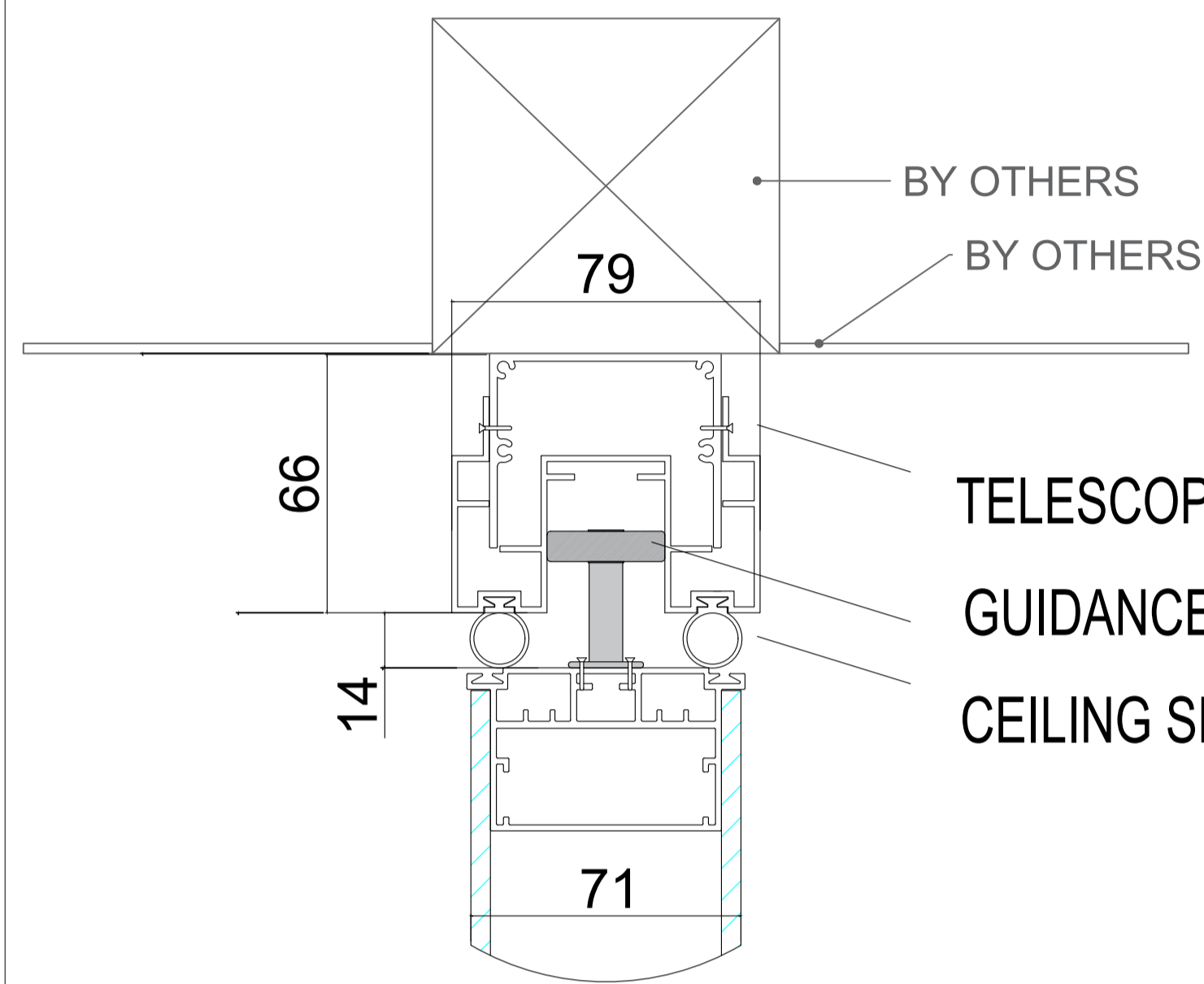
HEIGHT - FLOOR TO FALSE CEILING: 2580

HEIGHT - FLOOR TO TRACK: -

WEIGHT: UNITS

OBS: mm

# MG900 End Folding Hinged Sliding Folding



VERSION 2

DRAWN AND CHECKED BY:



No. SETS:

OPERATION:

TYPE:

SUSPENSION:

PANEL UNITS	QT.
START-UP / DOOR PROFILE	2
START-UP PANEL	1
MECHANISM PANEL	1
BASIC PANEL	1
DOOR SUPPORT PANEL	1
DOOR PANEL	1

PANEL FINISH:

TRACK FINISH: RAL

PROFILE FINISH: RAL

HANDLE FINISH: RAL

HEIGHT -

HEIGHT - FLOOR TO TRACK: -

WEIGHT:

UNITS

OBS:

mm