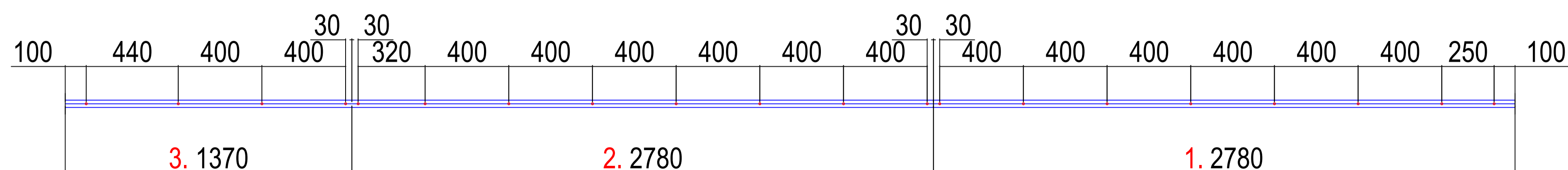
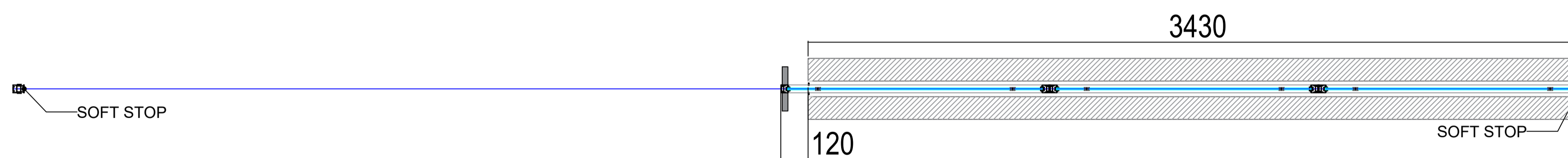
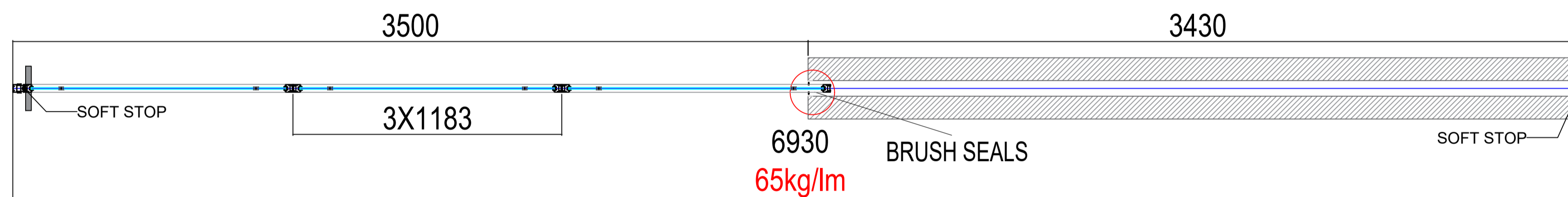
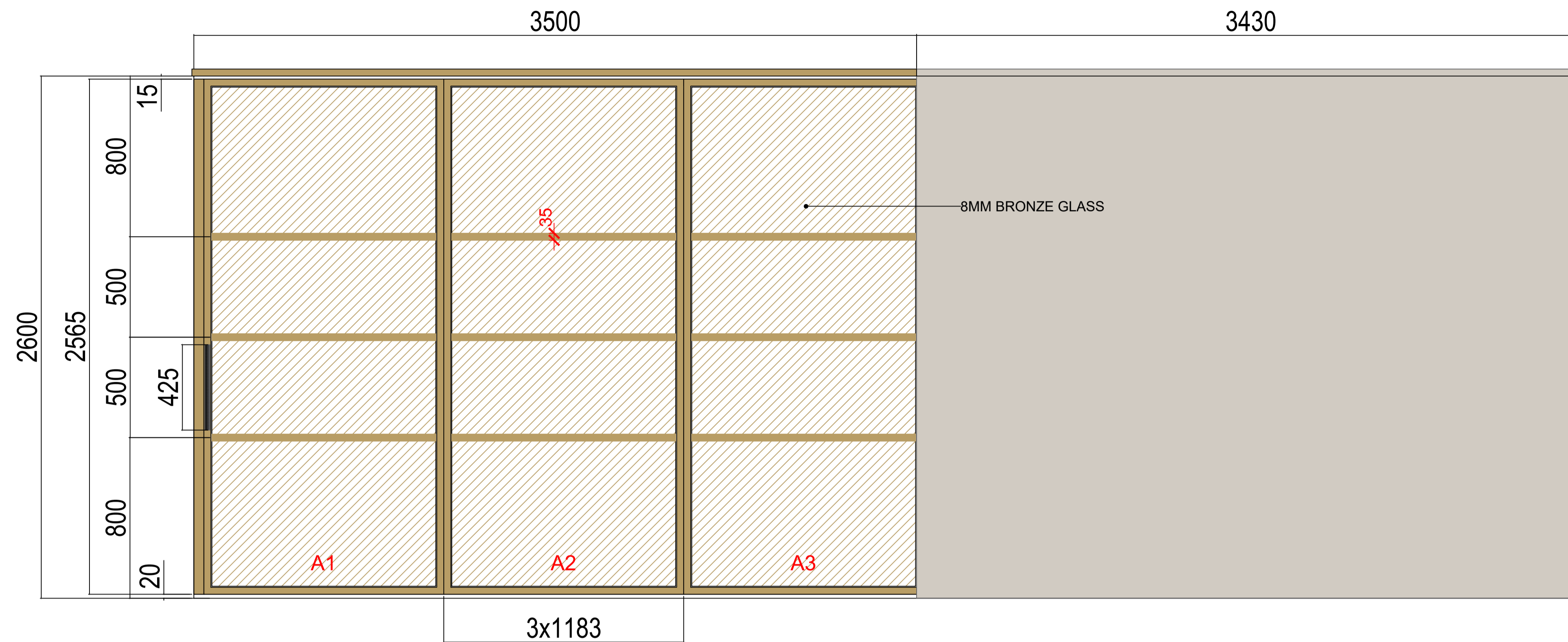


MG900 Straight Sliding Door Panel



VERSION 5



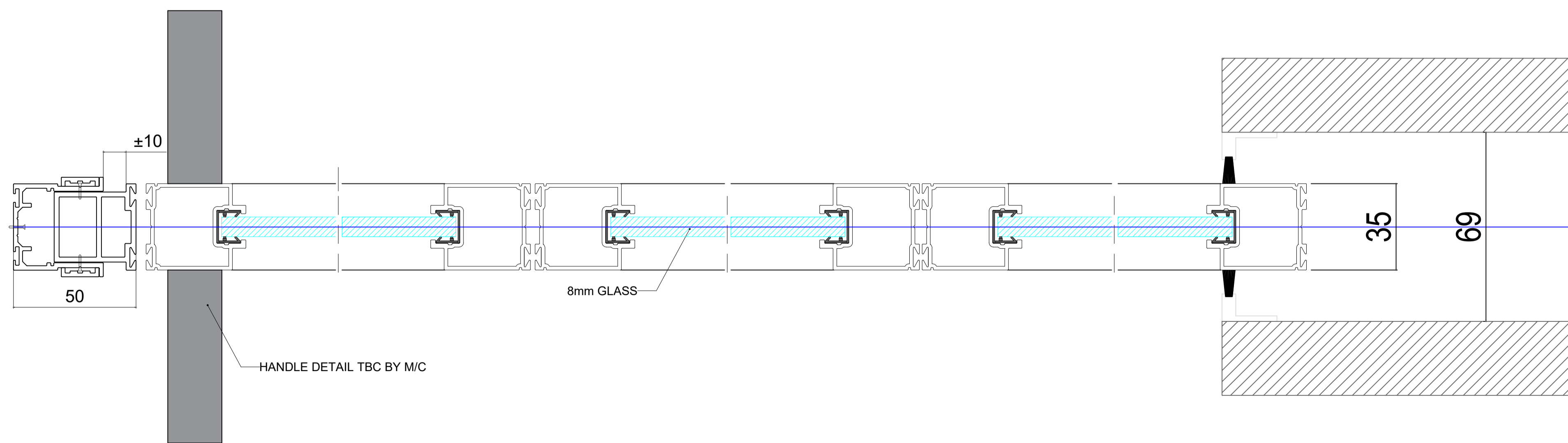
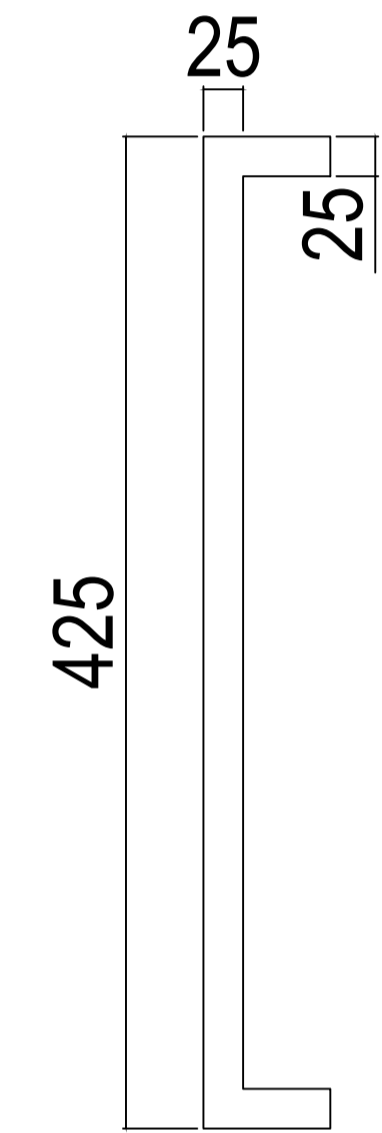
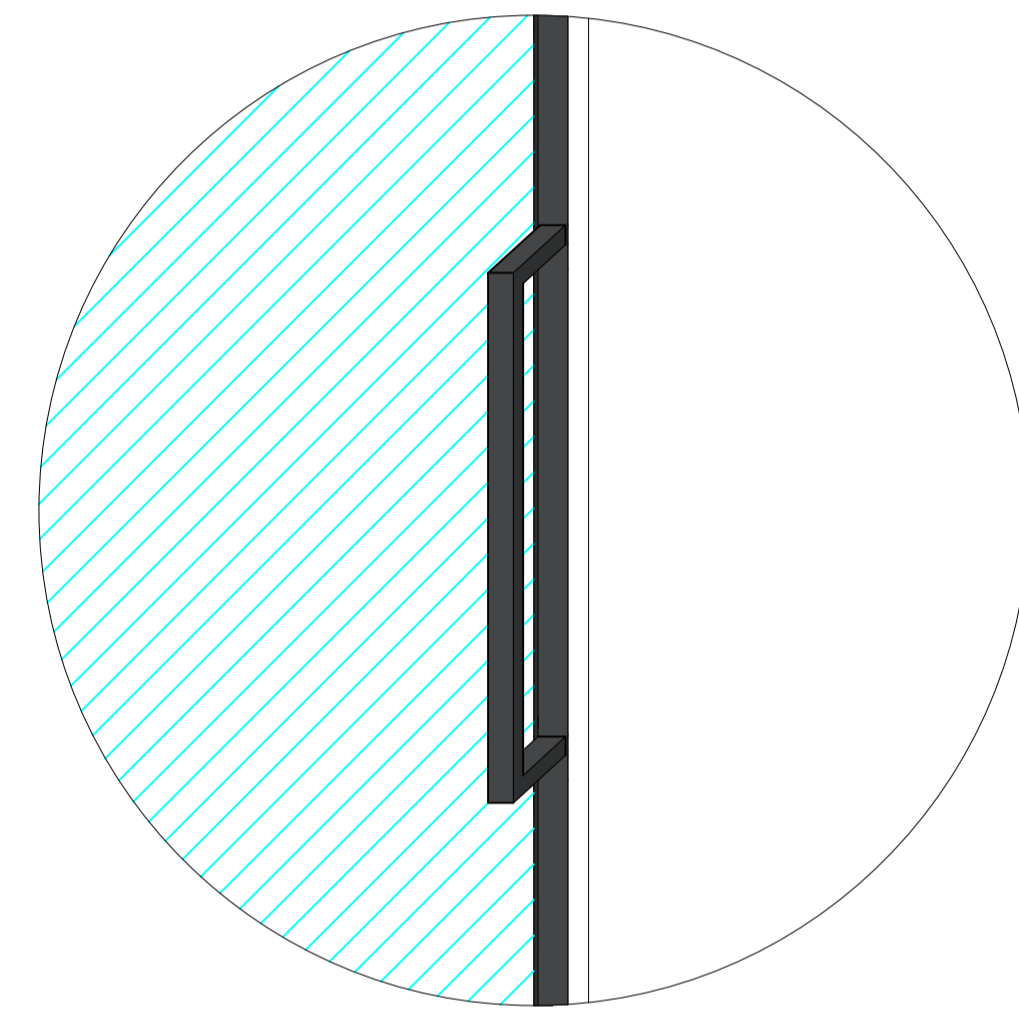
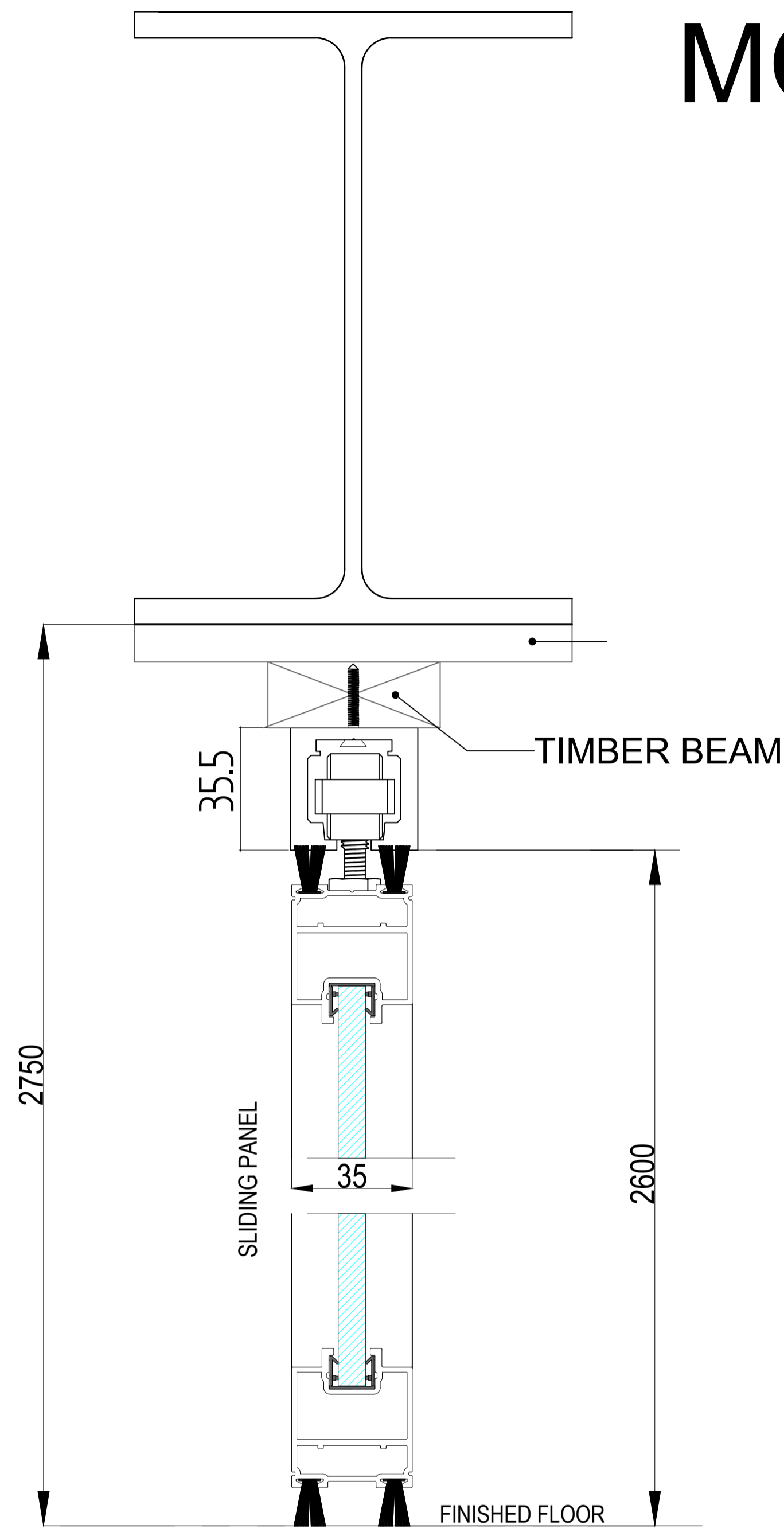
OPERATION:	Rw (dB)
VISTA SLIDING	
SUSPENSION:	

PANEL UNITS	QT.
BASIC PANEL	3

PANEL FINISH:
TRACK FINISH:
PROFILE FINISH:
HANDLE FINISH:
HEIGHT - FLOOR TO FALSE CEILING: 2600
HEIGHT - FLOOR TO TRACK: 2600

WEIGHT:		UNITS
OBS:		mm

MG900 Straight Sliding Door Panel



VERSION 5

DRAWN AND CHECKED BY:



OPERATION:	Rw (dB)
------------	---------

VISTA SLIDING	
---------------	--

SUSPENSION:	
-------------	--

VISTA TRACK	
-------------	--

PANEL UNITS	QT.
-------------	-----

BASIC PANEL	3
-------------	---

--	--

--	--

--	--

--	--

--	--

PANEL FINISH:	
---------------	--

TRACK FINISH:	
---------------	--

PROFILE FINISH:	
-----------------	--

HANDLE FINISH:	
----------------	--

HEIGHT - FLOOR TO FALSE CEILING: 2600	
---------------------------------------	--

HEIGHT - FLOOR TO TRACK: 2600	
-------------------------------	--

WEIGHT:		UNITS
---------	--	-------

OBS:		mm
------	--	----