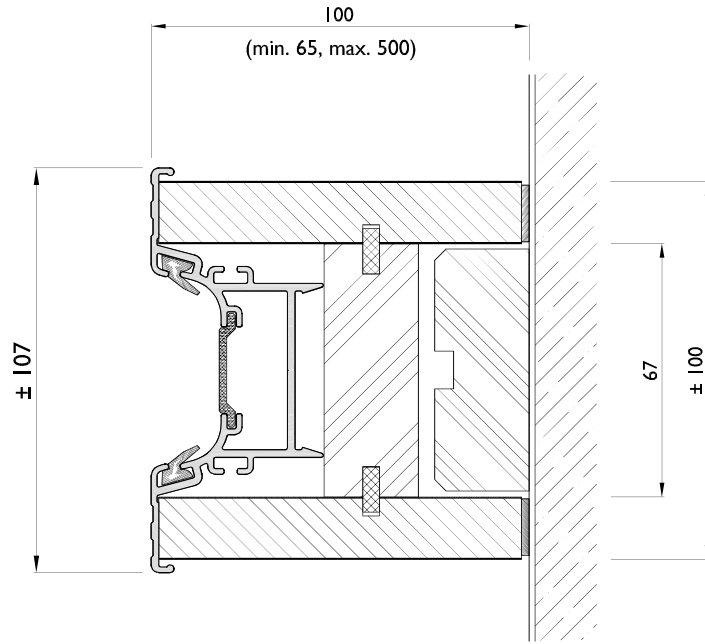
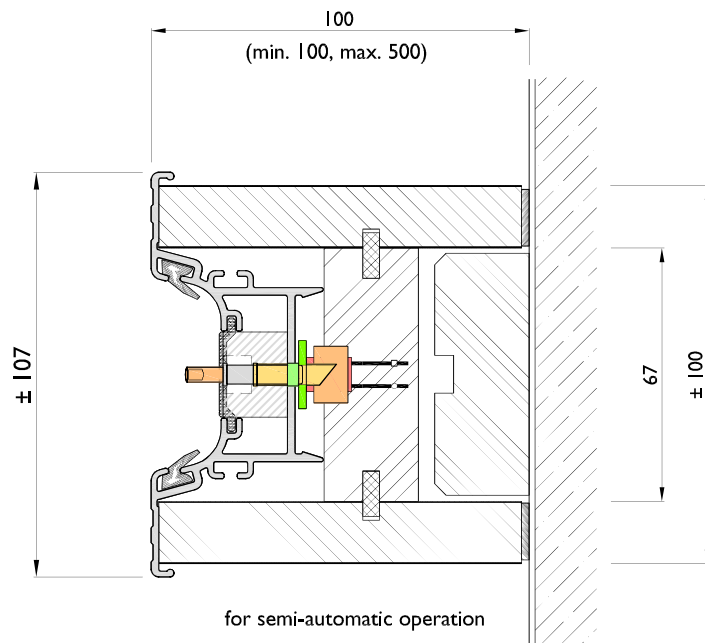


### ModernGlide MG100 Wall Jamb Manual System



### ModernGlide MG100 Wall Jamb Semi Electric



**wall stanchion standard (WSS)**  
**with surrounding aluminium profiles**  
**note: default width of stanchion = 100 mm**

|          |            |    |
|----------|------------|----|
| Date     | 31-05-2001 |    |
| Scale    | 1:2        |    |
| Size     | A4         |    |
| Drawn    | FR         |    |
| Revision | Date       | By |
|          |            |    |
|          |            |    |