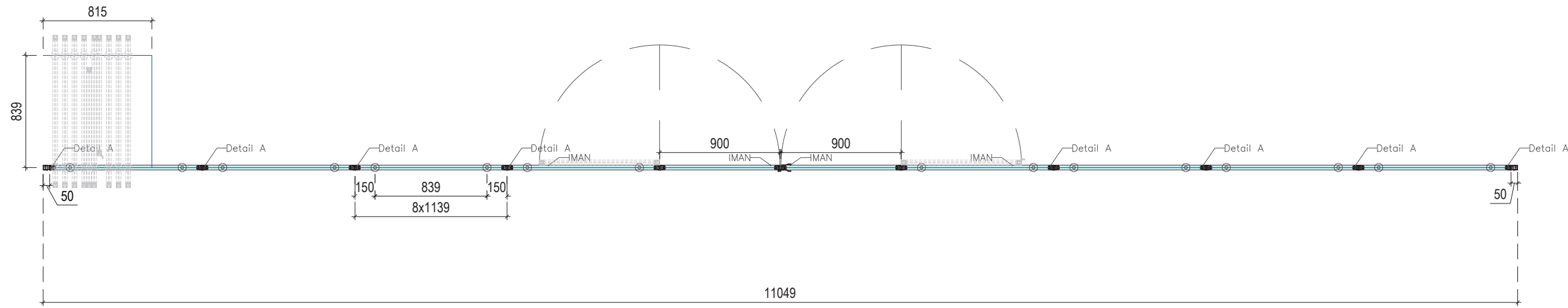


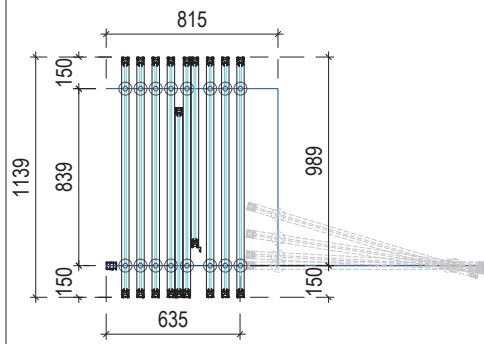
AS BUILT

MG900 Individual Operable Wall Panel

DRAWN AND CHECKED BY:

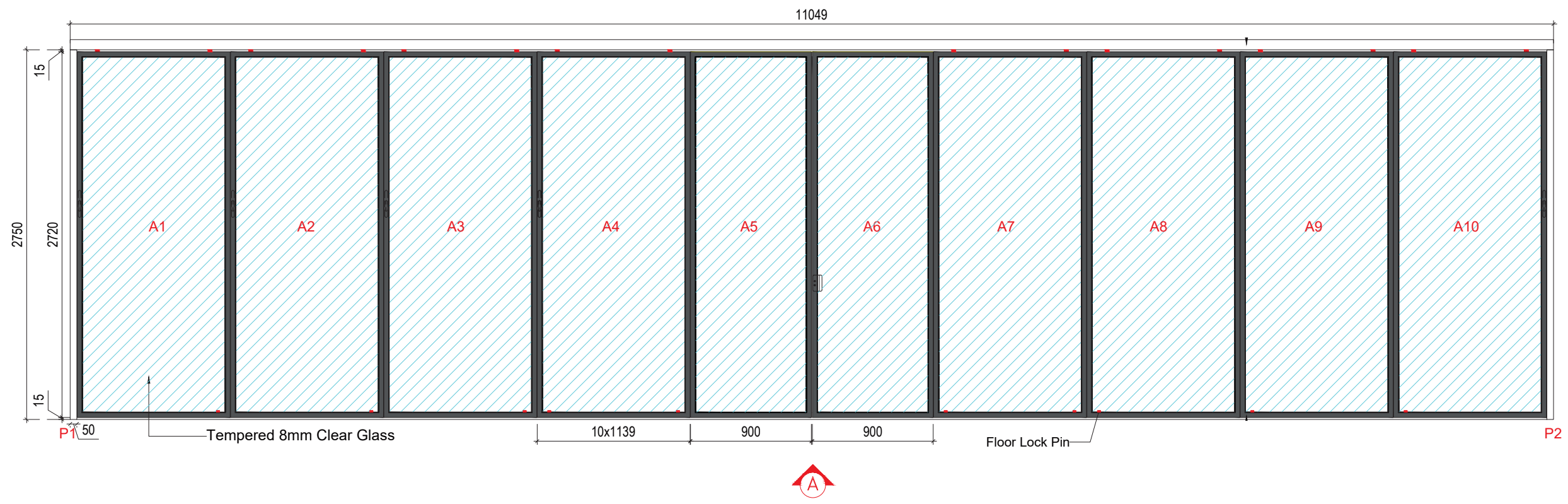


11049



No. SETS: X1	
OPERATION:	TYPE:
MANUAL	GLASS
SUSPENSION:	
VISTA OPERABLE	
PANEL UNITS	QT.
BASIC PANEL	6
DOOR SUPPORT PANEL	2
DOOR PANEL	2
START UP PROFILE	2
PANEL FINISH:RAL	
TRACK FINISH: RAL	
PROFILE FINISH: RAL	
HEIGHT - FLOOR TO FALSE CEILING: 2750mm	
HEIGHT - FLOOR TO TRACK: 2750mm	
WEIGHT:	UNITS
OBS:	mm

MG900 Individual Operable Wall Panel



AS BUILT

VERSION 3

DRAWN AND CHECKED BY:



No. SETS: X1	
OPERATION:	TYPE:
MANUAL	GLASS
SUSPENSION:	
VISTA OPERABLE	
PANEL UNITS	QT.
BASIC PANEL	6
DOOR SUPPORT PANEL	2
DOOR PANEL	2
START UP PROFILE	2
PANEL FINISH:RAL	
TRACK FINISH:	
PROFILE FINISH:	
HEIGHT - FLOOR TO FALSE CEILING: 2750mm	
HEIGHT - FLOOR TO TRACK: 2750mm	
WEIGHT:	UNITS
OBS:	mm

AS BUILT

DRAWN AND CHECKED BY:



No. SETS: X1

OPERATION:

MANUAL

TYPE:

GLASS

SUSPENSION:

VISTA OPERABLE

PANEL UNITS

QT.

BASIC PANEL

6

DOOR SUPPORT PANEL

2

DOOR PANEL

2

START UP PROFILE

2

PANEL FINISH:RAL

TRACK FINISH: RAL

PROFILE FINISH: RAL

HEIGHT - FLOOR TO FALSE CEILING: 2750mm

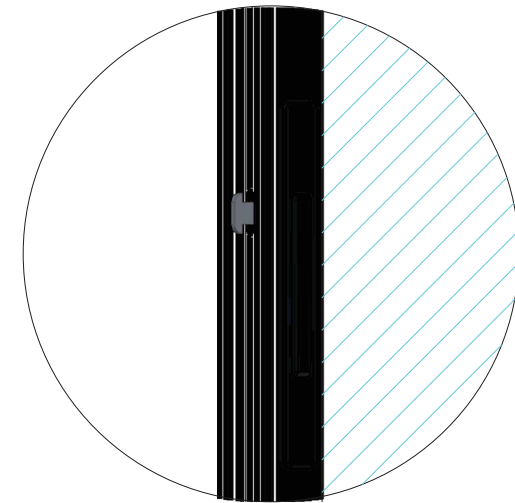
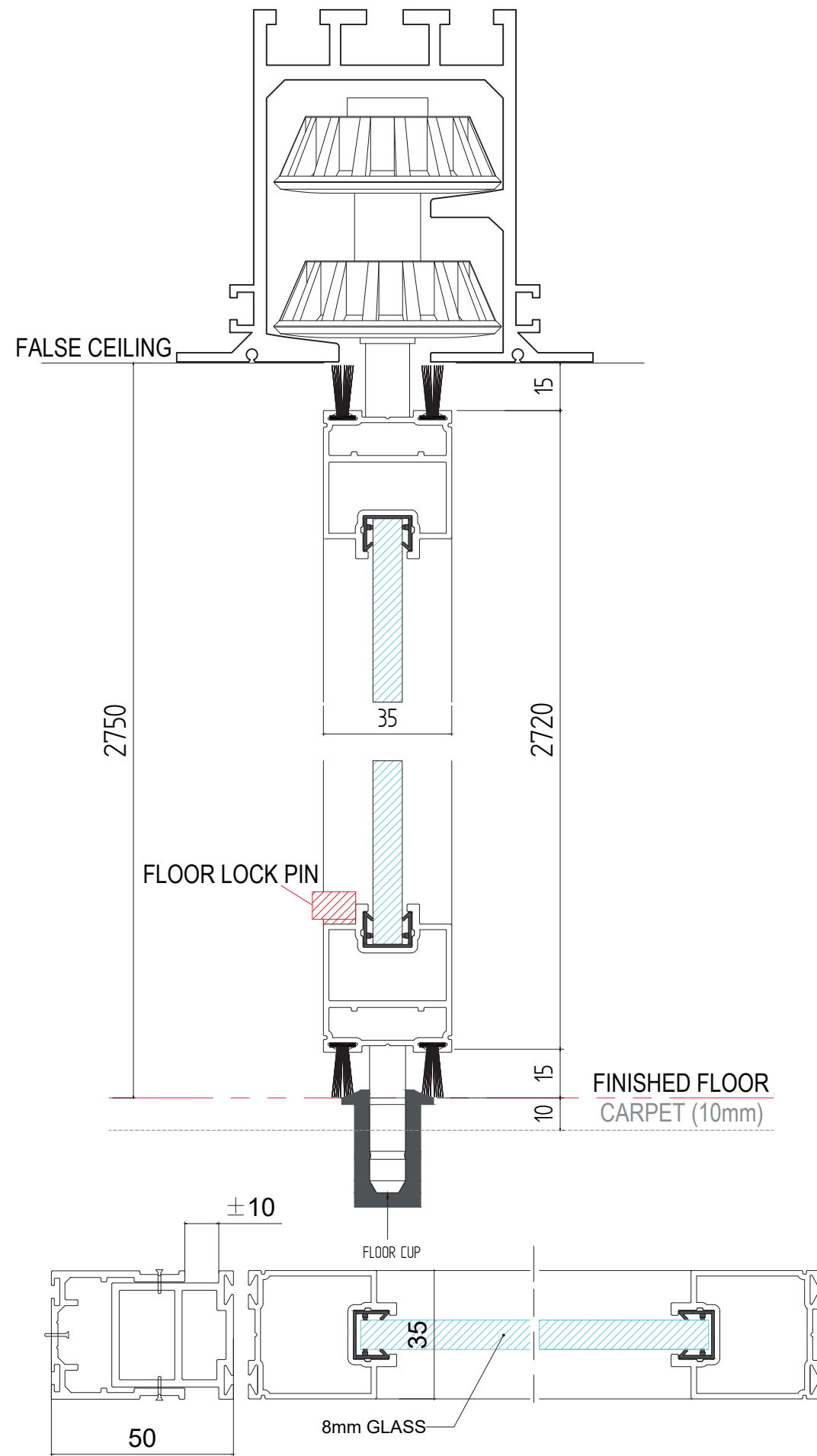
HEIGHT - FLOOR TO TRACK: 2750mm

WEIGHT:

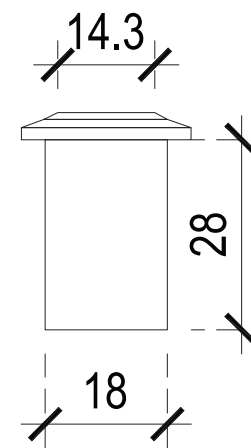
UNITS

OBS:

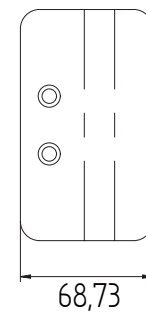
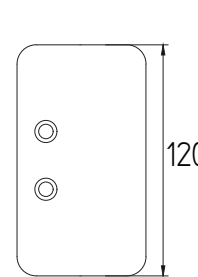
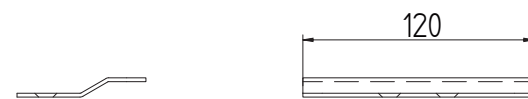
mm



DETAIL A
PANEL LOCK RAL 9005



FLOOR LOCK CUP

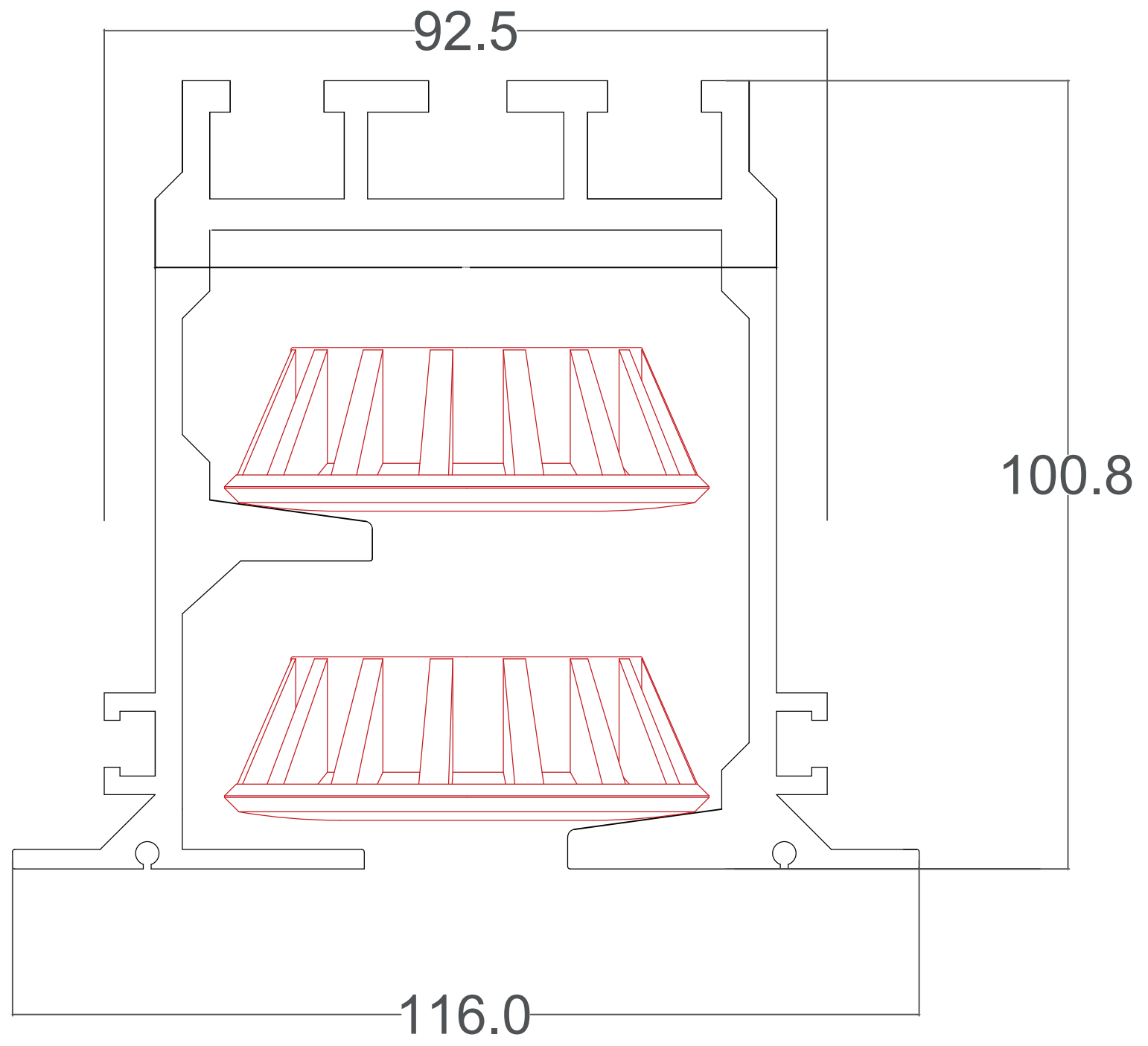



PAINTED STEEL RAL 9005

HANDLE DETAILS

AS BUILT

MG900 Individual Operable Wall Panels Track



VERSION 3		
DRAWN AND CHECKED BY:		
		
No. SETS: X1		
OPERATION:	TYPE:	
MANUAL	GLASS	
SUSPENSION:		
VISTA OPERABLE		
PANEL UNITS	QT.	
BASIC PANEL		
DOOR SUPPORT PANEL		
DOOR PANEL		
START UP PROFILE		
PANEL FINISH: RAL		
TRACK FINISH: RAL		
PROFILE FINISH: RAL		
HEIGHT -		
HEIGHT -		
WEIGHT:		UNITS
OBS:		mm