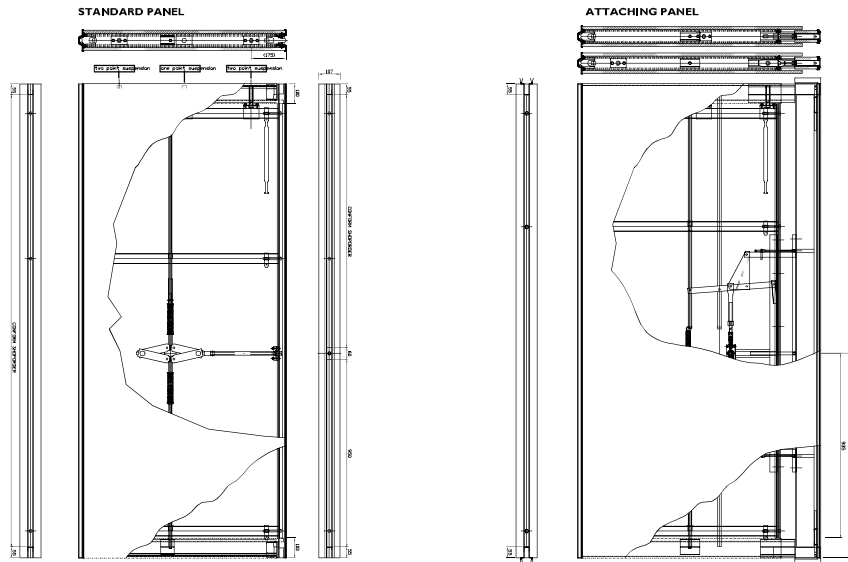
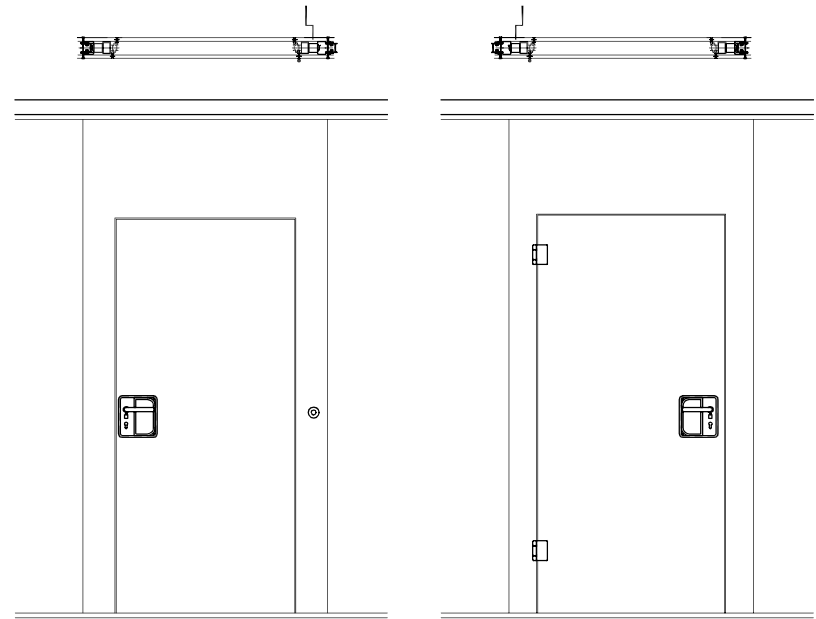


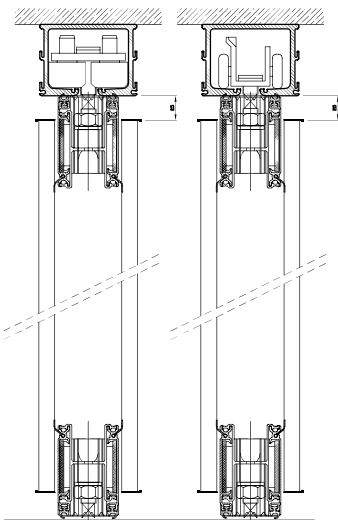
DETAILED DRAWING FOR STANDARD PANEL EN ATTACHING PANEL



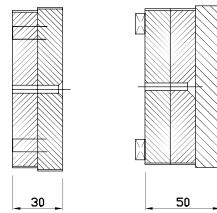
FRONT AND BACK VIEW OF SINGLE WICKET DOOR



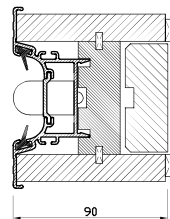
SUSPENSION SYSTEMS FOR ONE-POINT GUIDANCE OR TWO POINT GUIDANCE



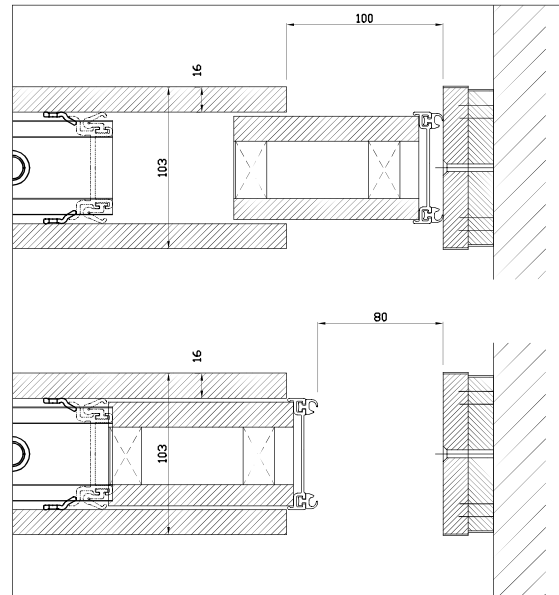
WALL STANCHIONS 30 AND 50 mm AT ATTACHING PANEL SIDE



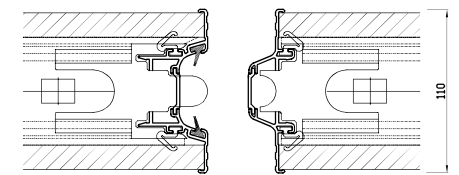
WALL STANCHIONS 90 mm



HORIZONTAL INTERFACE BETWEEN ATTACHING PANEL AND WALL STANCHIONS



NOSE AND COUNTER PROFILES



TRACK (for opening heights upto 4500 mm)

