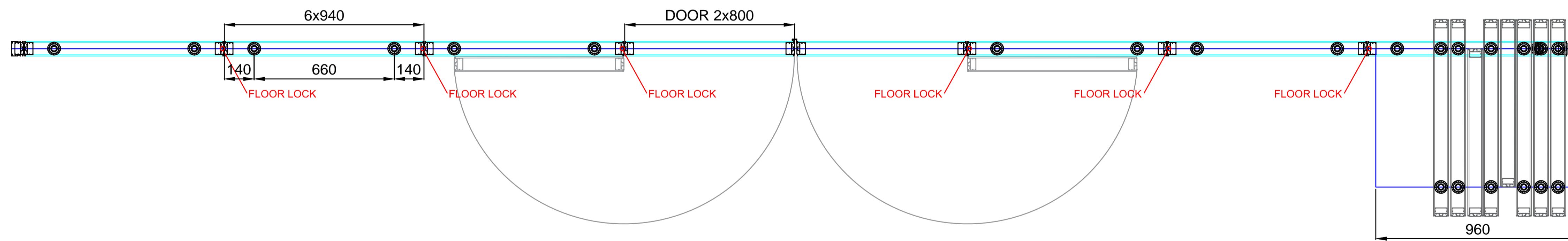
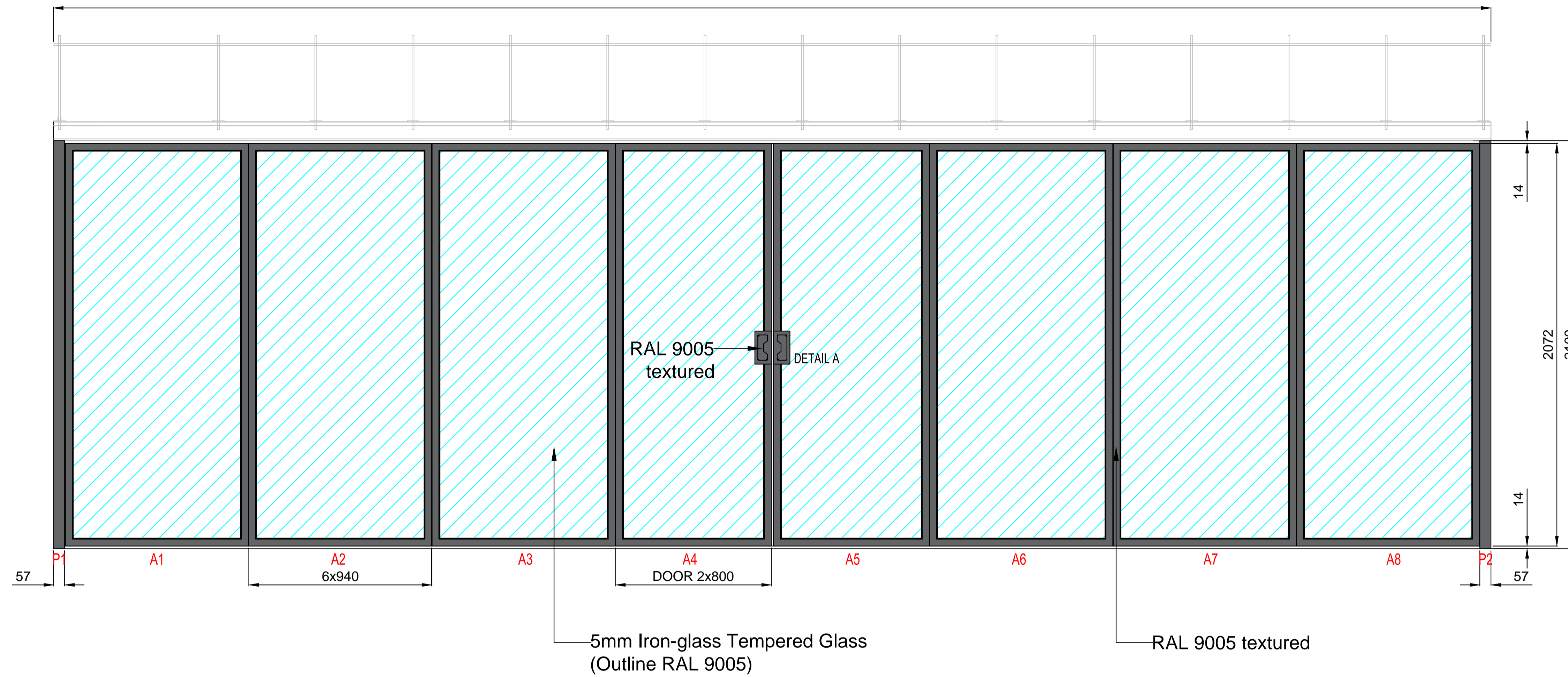


MG500 Individual Operable Wall Panels

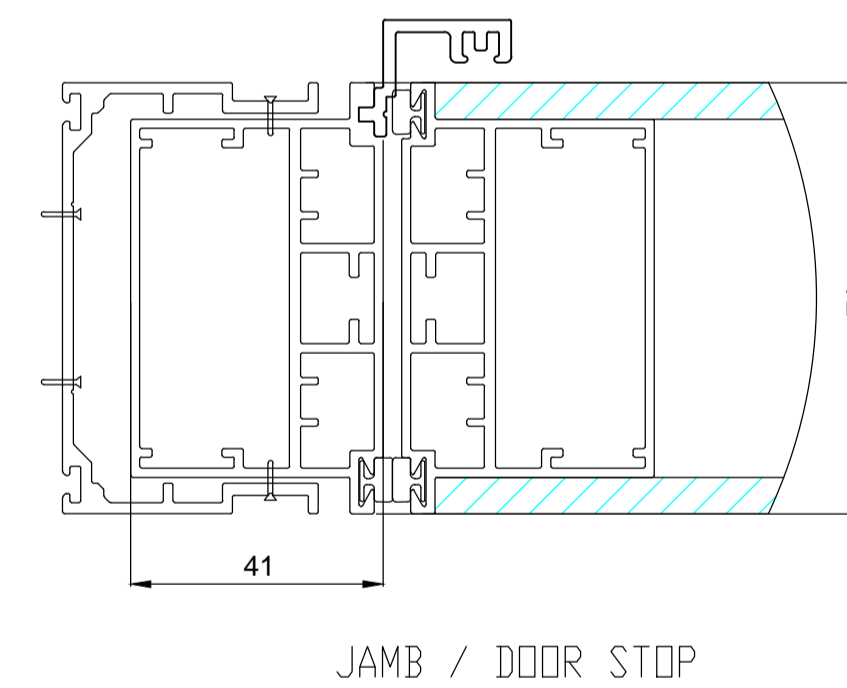
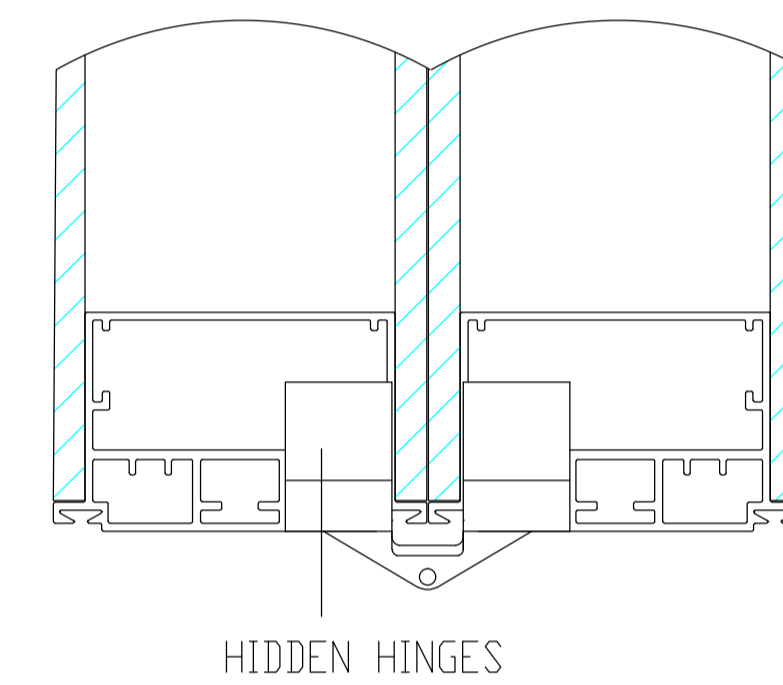
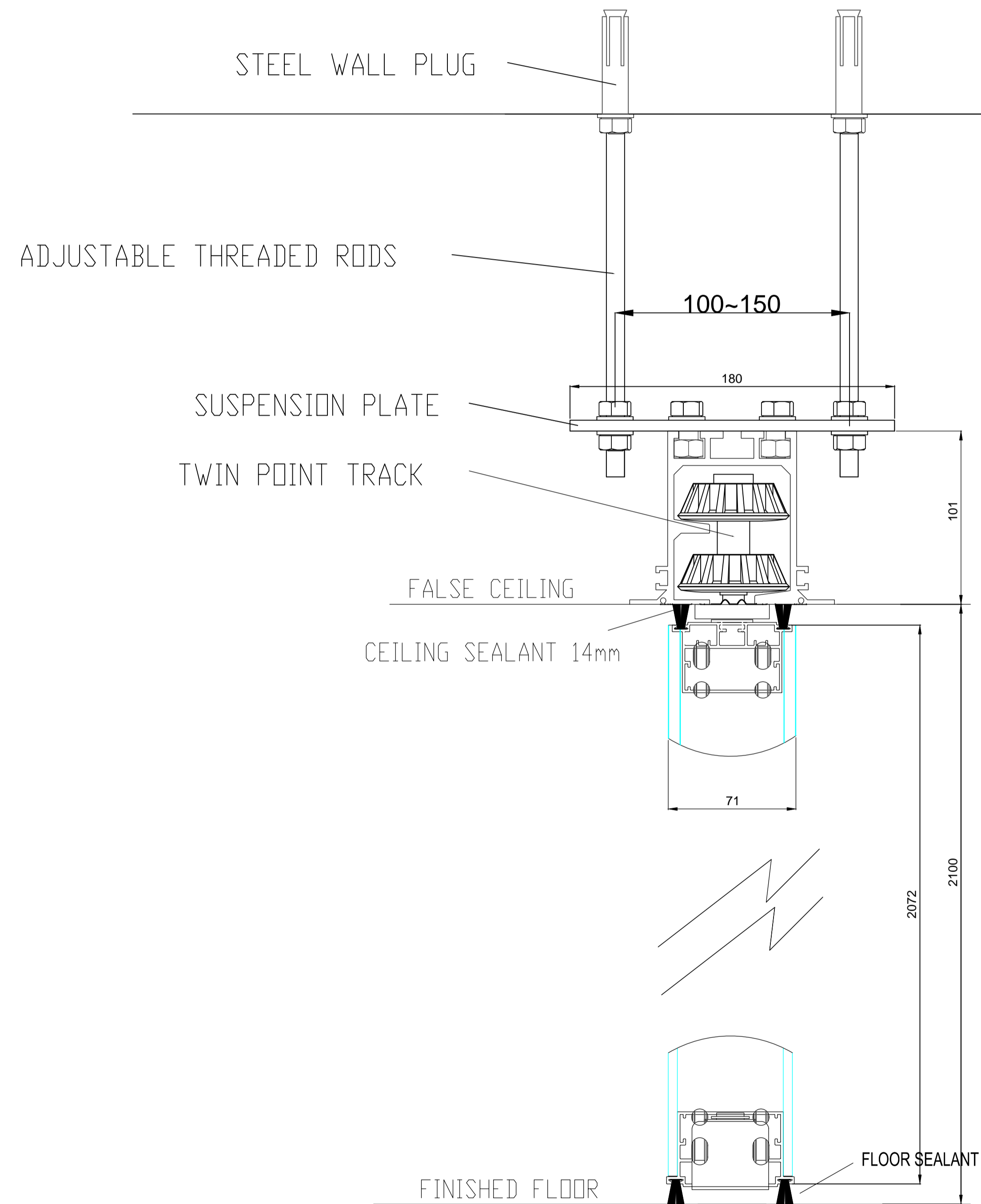


VERSION 3

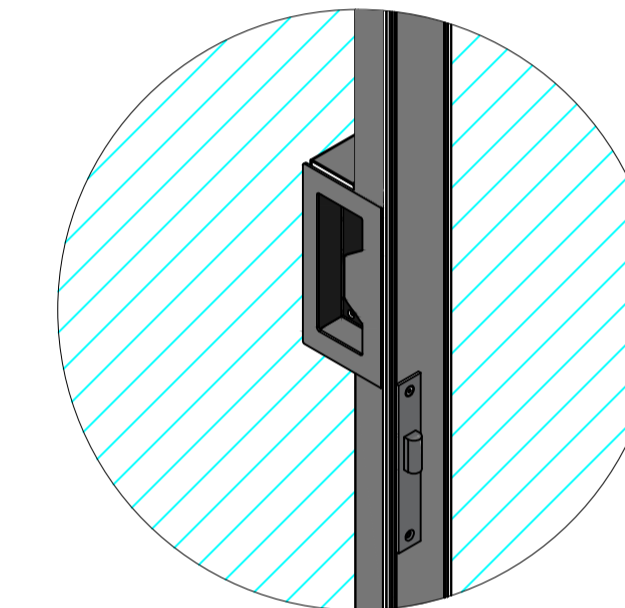


WALL A & B	
OPERATION:	TYPE:
MANUAL	
SUSPENSION:	
TWIN POINT TRACK	
PANEL UNITS	QT.
BASIC W/ MECHANISM	
DOOR PANEL	
WALL PROFILE	
PANEL FINISH:	
TRACK FINISH:	
PROFILE FINISH: RAL	
HANDLE FINISH: RAL	
HEIGHT - FLOOR TO FALSE CEILING: 2100mm	
HEIGHT - FLOOR TO TRACK: 2100mm	
WEIGHT:	UNITS
OBS:	mm

MG500 Individual Operable Wall Panels



DETAIL A



VERSION 2

DRAWN AND CHECKED BY:



WALL A & B	
OPERATION:	TYPE:
MANUAL	
SUSPENSION:	
TWIN POINT TRACK	
PANEL UNITS	QT.
BASIC W/ MECHANISM	
DOOR PANEL	
WALL PROFILE	
PANEL FINISH:	
TRACK FINISH:	
PROFILE FINISH: RAL	
HANDLE FINISH: RAL	
HEIGHT - FLOOR TO FALSE CEILING: 2100mm	
HEIGHT - FLOOR TO TRACK: 2100mm	
WEIGHT:	UNITS
OBS:	mm