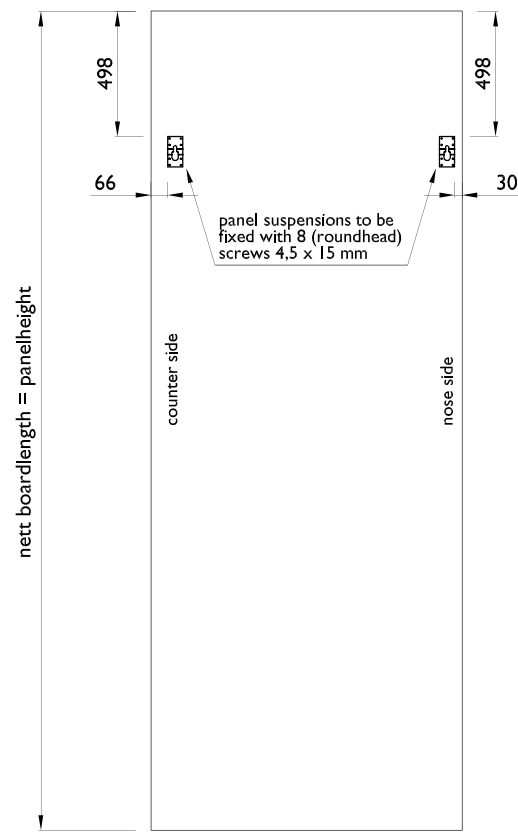
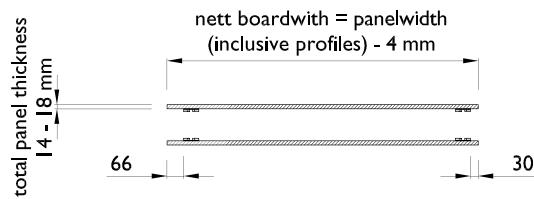


ModernGlide Type 110 Standard Panel Mechanism

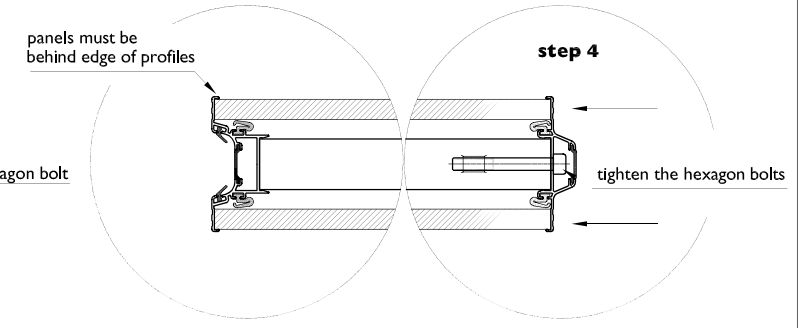
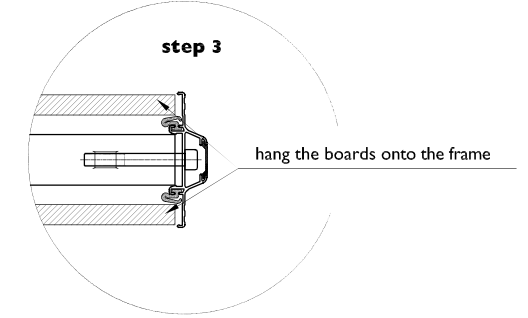
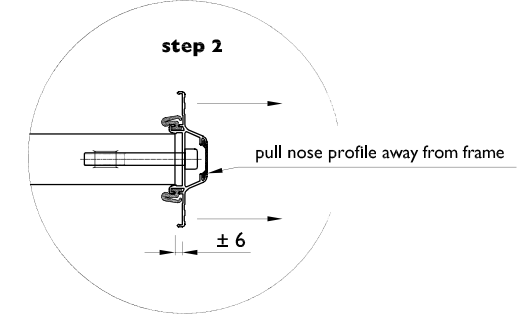
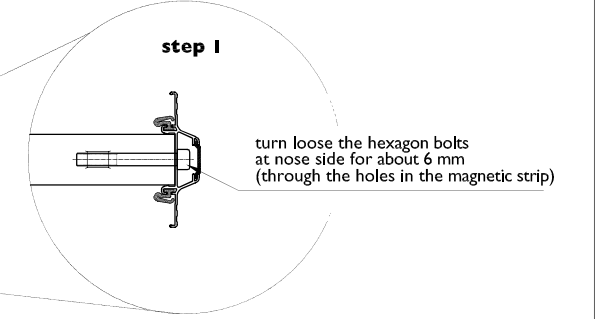
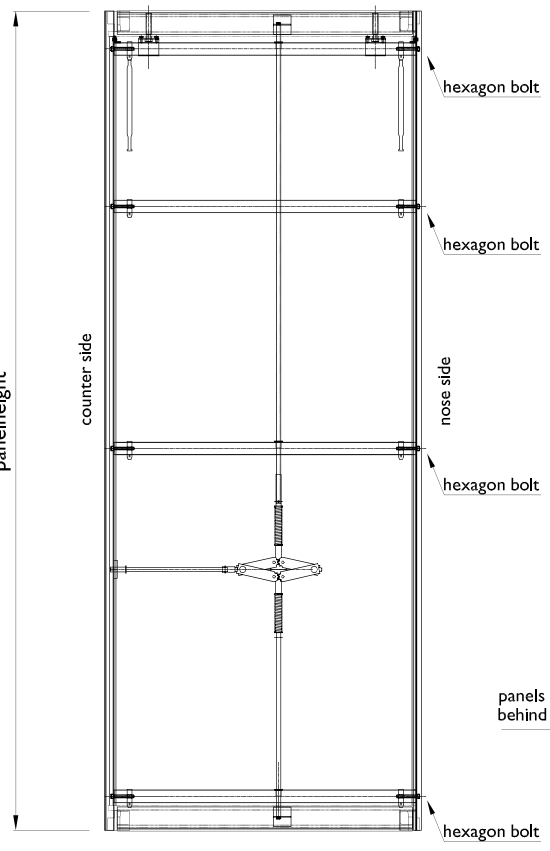
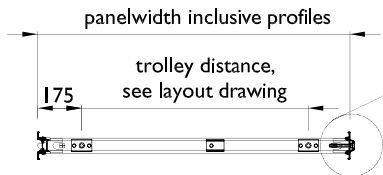


Standard Panel (SP) instructions

dimensions of the boards (panels) and position of the panel suspensions



attaching the boards (panels) to the frame



Date 14-11-2001
Scale 1:30

Size A4
Drawn FR

Revision
Date

By