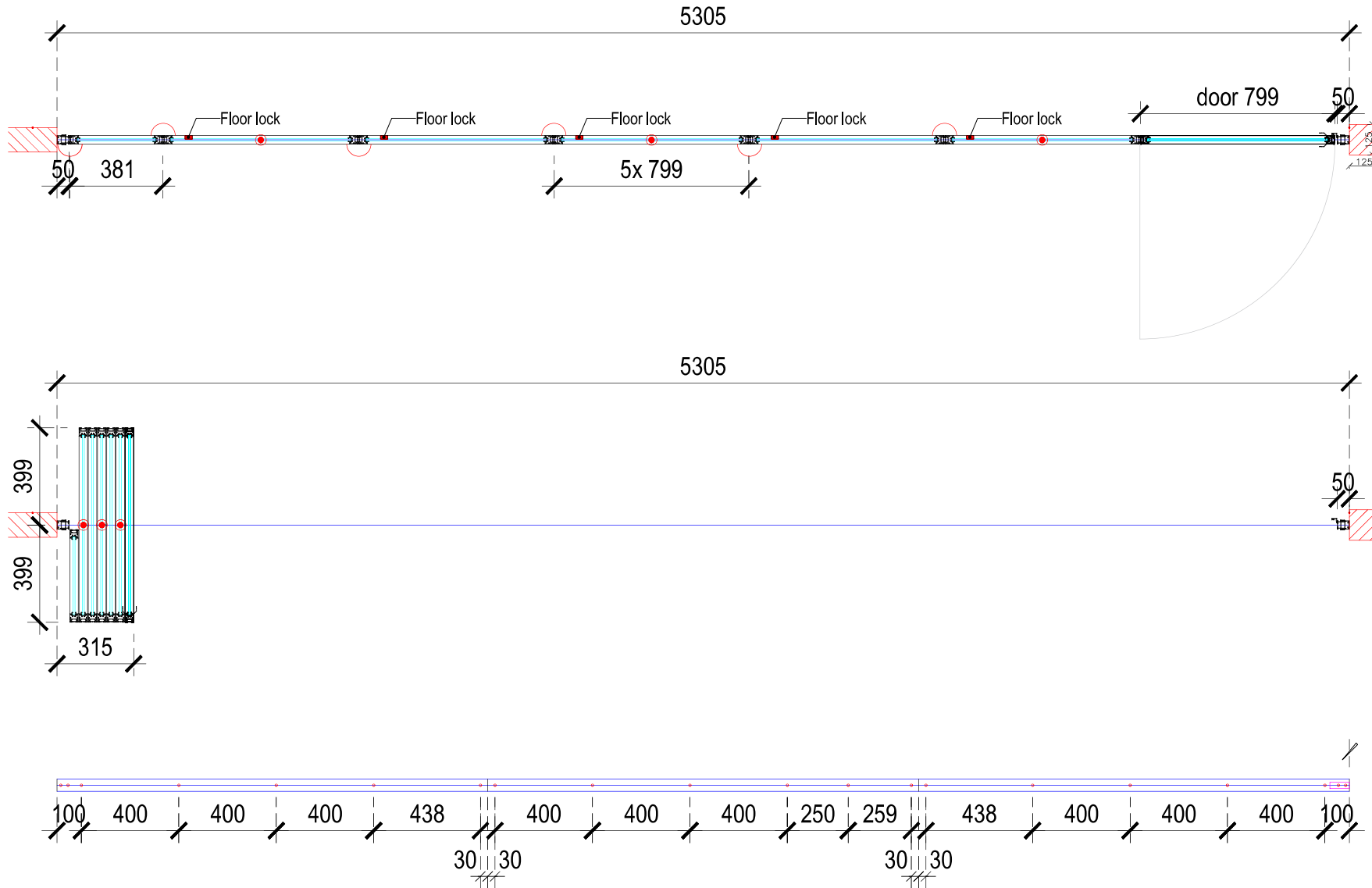


# MG900 Single Glazed Hinged Panel System



VERSION 3  
 DRAWN AND CHECKED BY: ---

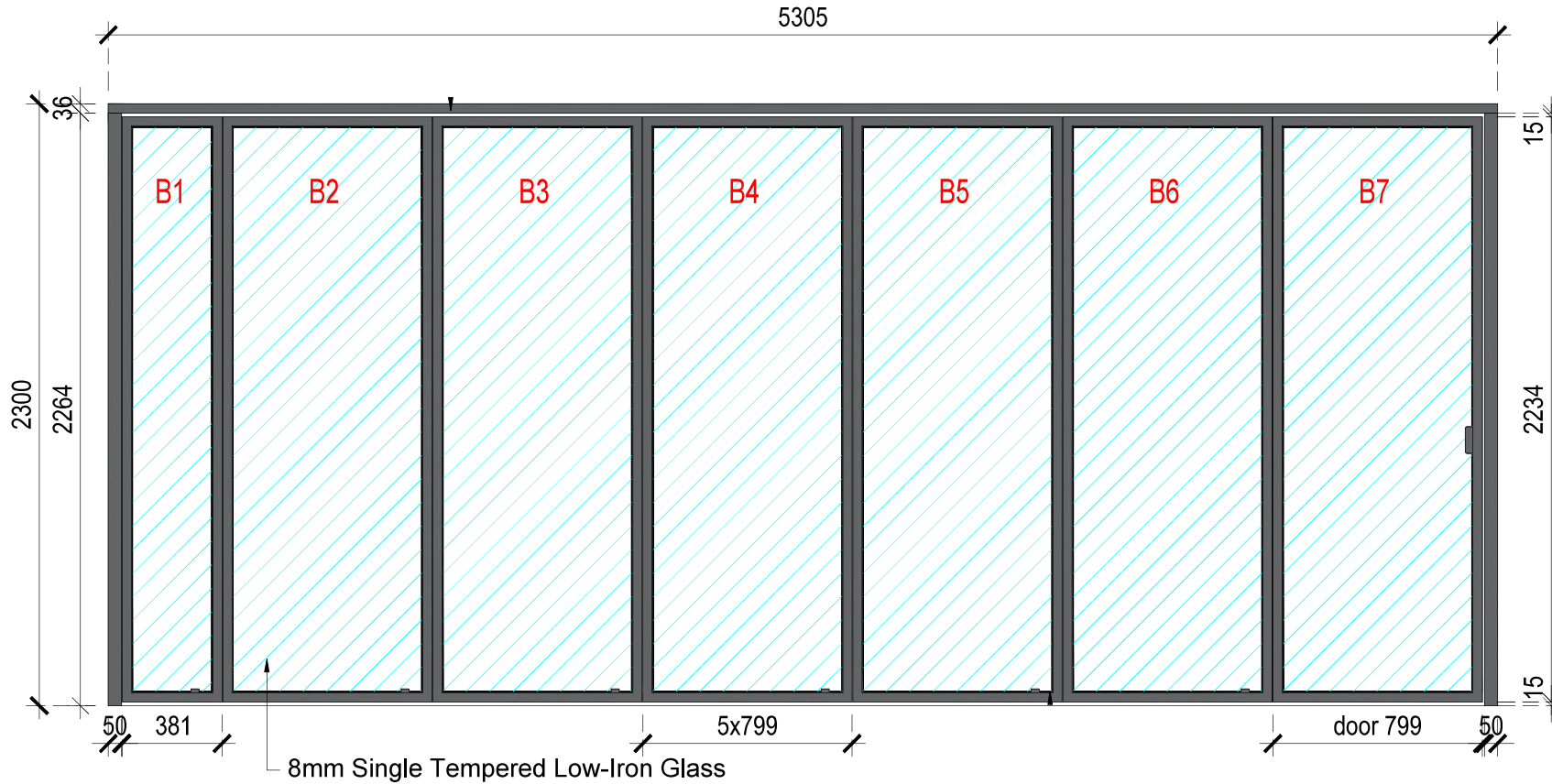


No. SETS: X2	
OPERATION:	TYPE:
MANUAL	
SUSPENSION:	

PANEL UNITS	QT.
BASIC PANEL	5
PANEL W/ MECHANISM	7
DOOR PANEL	2
START UP PANEL	2
START UP PROFILE	2
JAMB PROFILE	2

PANEL FINISH:	
TRACK FINISH:	
PROFILE FINISH:	
HEIGHT - FLOOR TO FALSE CEILING: 2300mm	
HEIGHT - FLOOR TO TRACK:	
WEIGHT:	UNITS
OBS:	mm

# MG900 Single Glazed Hinged Panel System



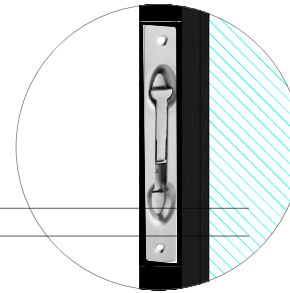
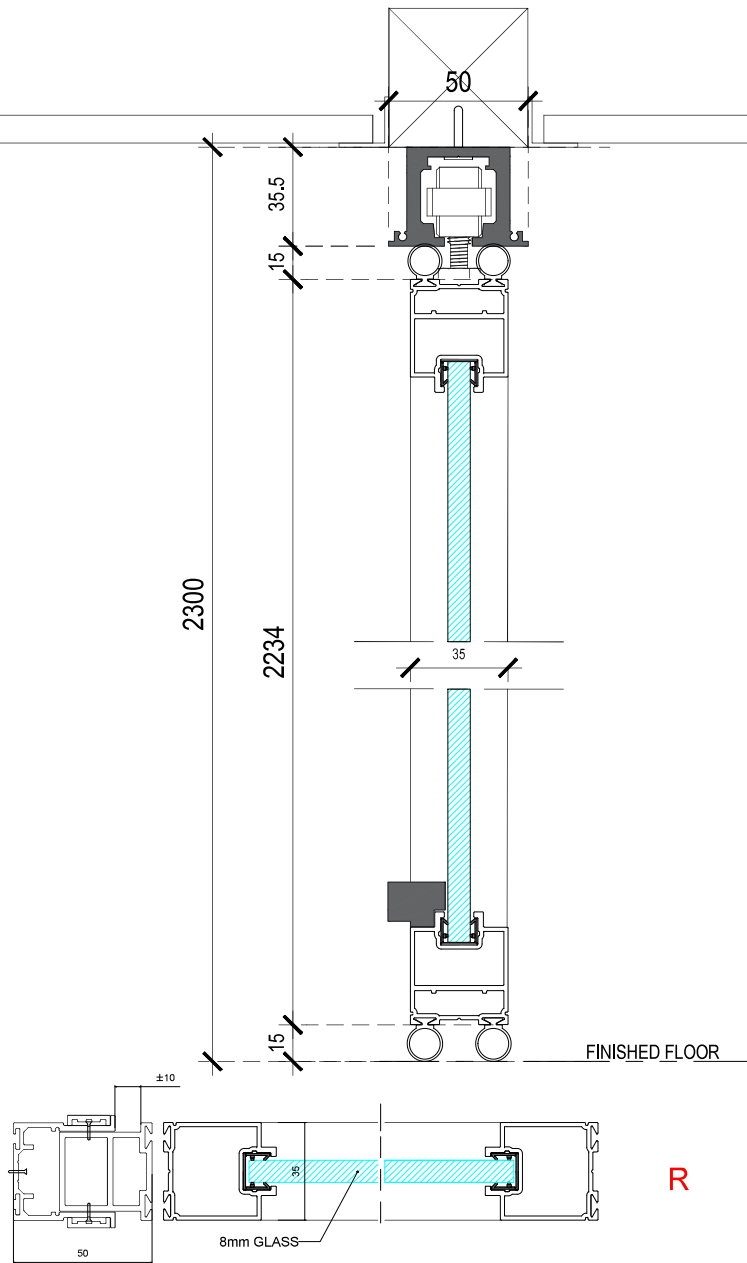
VERSION 3

DRAWN AND CHECKED BY: ---



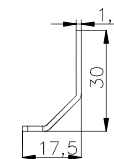
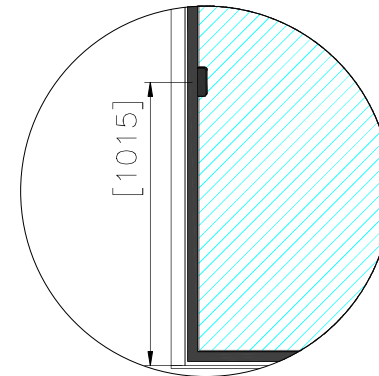
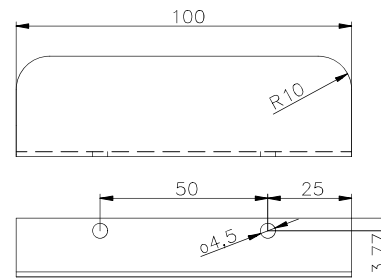
No. SETS: X	
OPERATION:	TYPE:
MANUAL	
SUSPENSION:	
PANEL UNITS	QT.
BASIC PANEL	5
PANEL W/ MECHANISM	7
DOOR PANEL	2
START UP PANEL	2
START UP PROFILE	2
JAMB PROFILE	2
PANEL FINISH: s	
TRACK FINISH:	
PROFILE FINISH:	
HEIGHT - FLOOR TO FALSE CEILING: 2300mm	
HEIGHT - FLOOR TO TRACK:	
WEIGHT:	~390kg + ~310kg
OBS:	mm

# MG900 Single Glazed Hinged Panel System



**DETAIL A**  
(LOCK ON TOP AND BOTTOM TO  
KEEP DOOR BALANCED)

## HANDLE DETAILS



VERSION 3  
DRAWN AND CHECKED BY: ---



No. SETS:	
OPERATION:	TYPE:
MANUAL	
SUSPENSION:	

PANEL UNITS	QT.
BASIC PANEL	5
PANEL W/ MECHANISM	7
DOOR PANEL	2
START UP PANEL	2
START UP PROFILE	2
JAMB PROFILE	2

PANEL FINISH:	
TRACK FINISH	
PROFILE FINISH:	
HEIGHT - FLOOR TO FALSE CEILING: 2300mm	
HEIGHT - FLOOR TO TRACK:	
WEIGHT:	UNITS
OBS:	mm