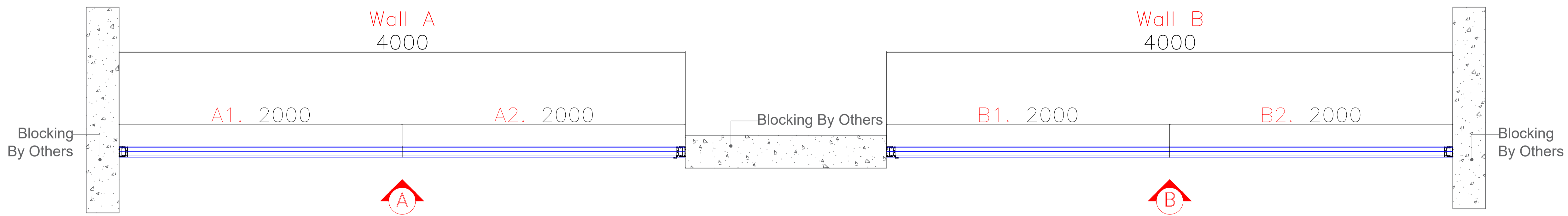
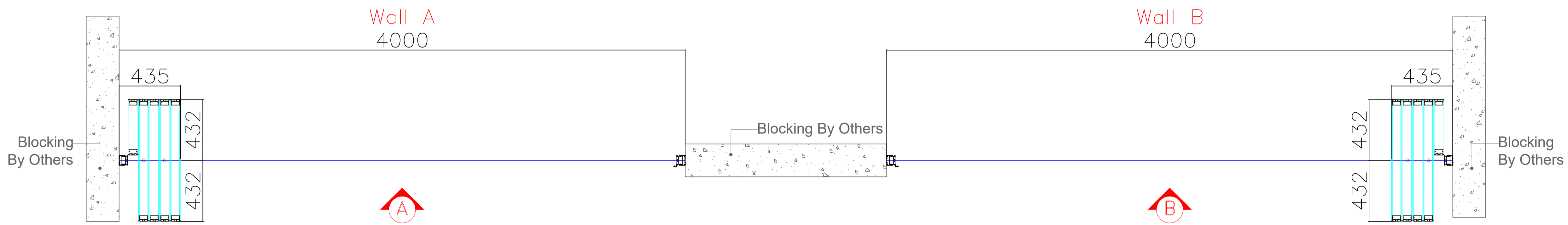
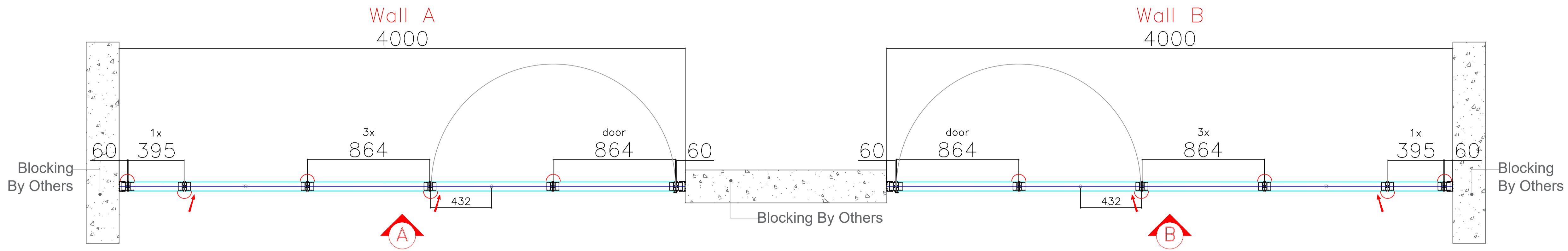


MG500 Centre Folding Sliding Folding



VERSION 1

DRAWN AND CHECKED BY:



OPERATION:

TYPE:

SUSPENSION:

PANEL UNITS	QT.
START-UP PROFILE / DOOR JAMB	4
START-UP PANEL	2
MECHANISM PANEL	2
BASIC PANEL	2
DOOR SUPPORT PANEL	2
DOOR PANEL	2

PANEL FINISH:

TRACK FINISH: RAL

PROFILE FINISH: RAL

HANDLE FINISH: RAL

HEIGHT - FLOOR TO FALSE CELING:

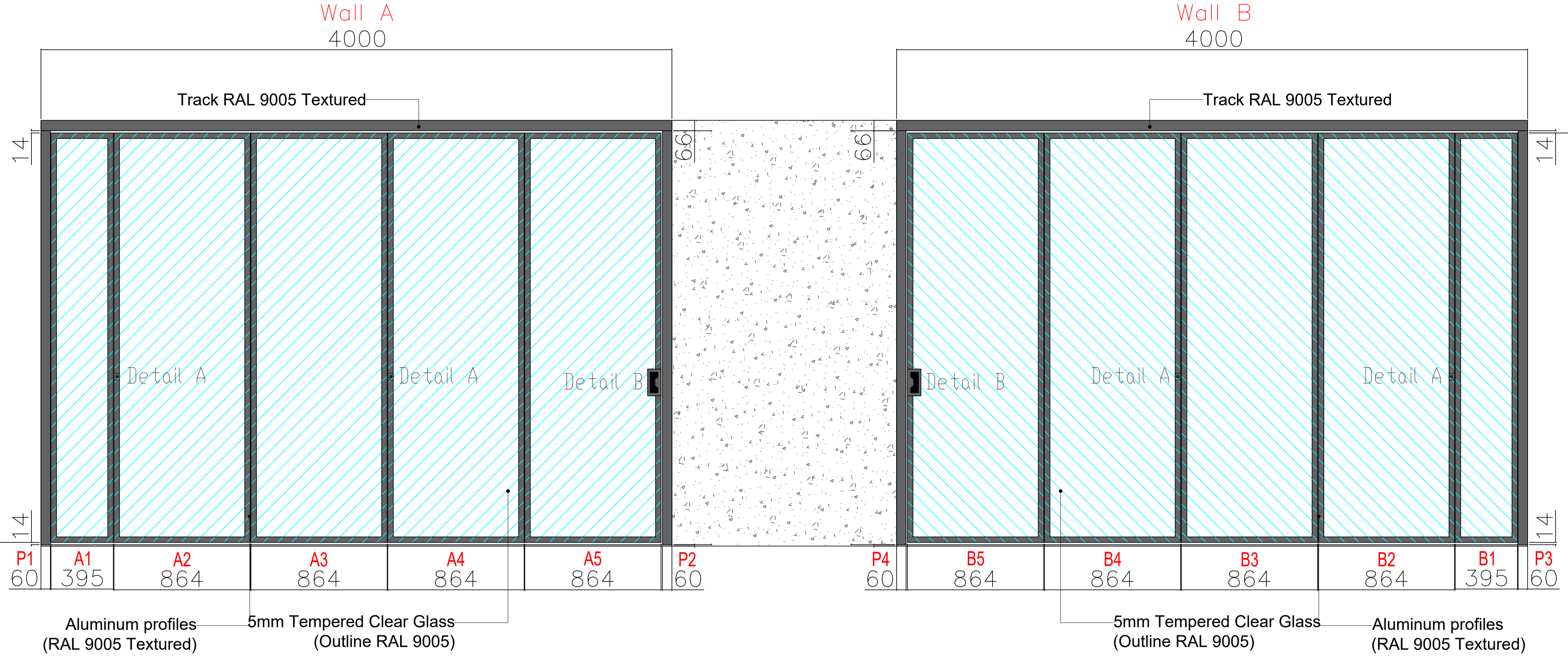
HEIGHT - FLOOR TO TRACK: -

WEIGHT: UNITS

OBS:

mm

MG900 Centre Folding Hinged Sliding Folding



VERSION 1

DRAWN AND CHECKED BY:



OPERATION:	TYPE:
------------	-------

SUSPENSION:

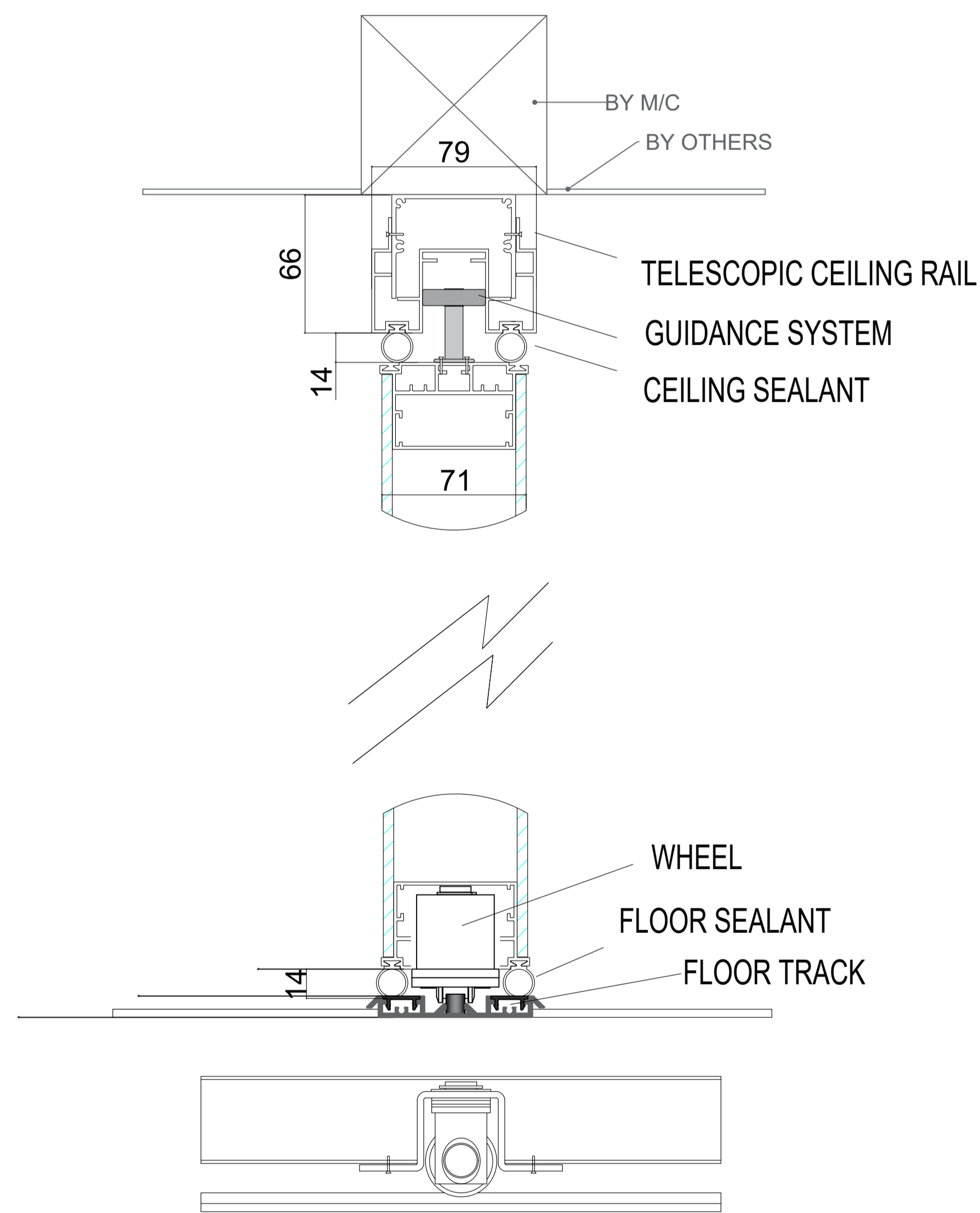
PANEL UNITS	QT.
START-UP PROFILE / DOOR JAMB	4
START-UP PANEL	2
MECHANISM PANEL	2
BASIC PANEL	2
DOOR SUPPORT PANEL	2
DOOR PANEL	2

PANEL FINISH:
 TRACK FINISH: RAL
 PROFILE FINISH: RAL
 HANDLE FINISH: RAL

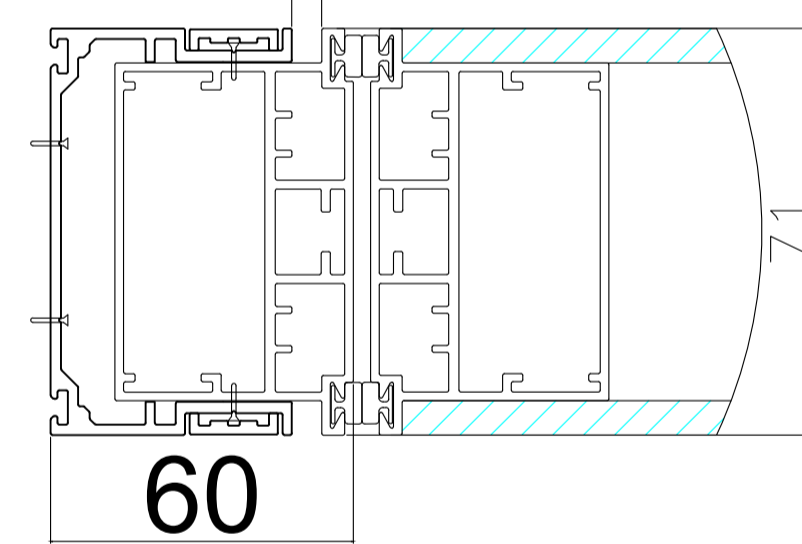
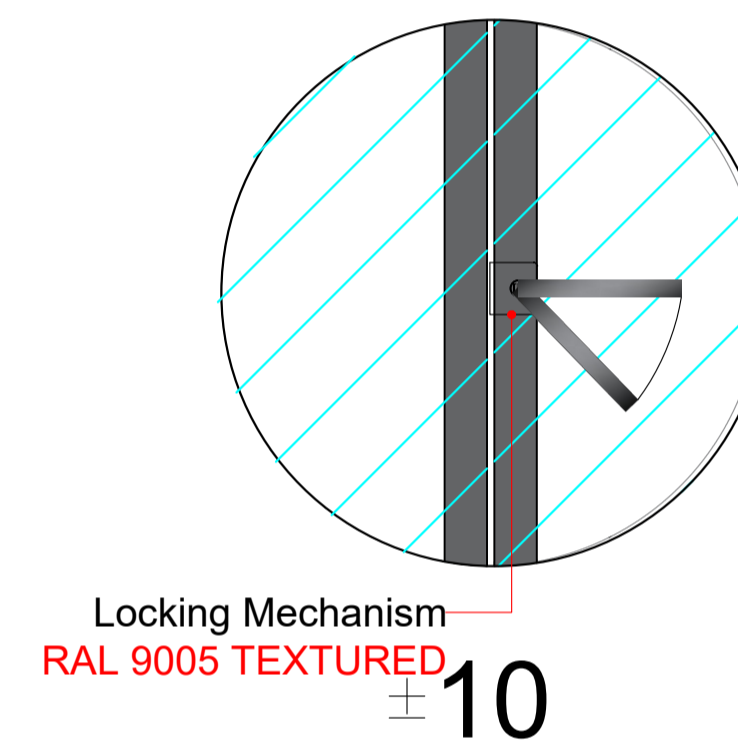
HEIGHT - FLOOR TO FALSE CELING:
 HEIGHT - FLOOR TO TRACK: -

WEIGHT:		UNITS
OBS:		mm

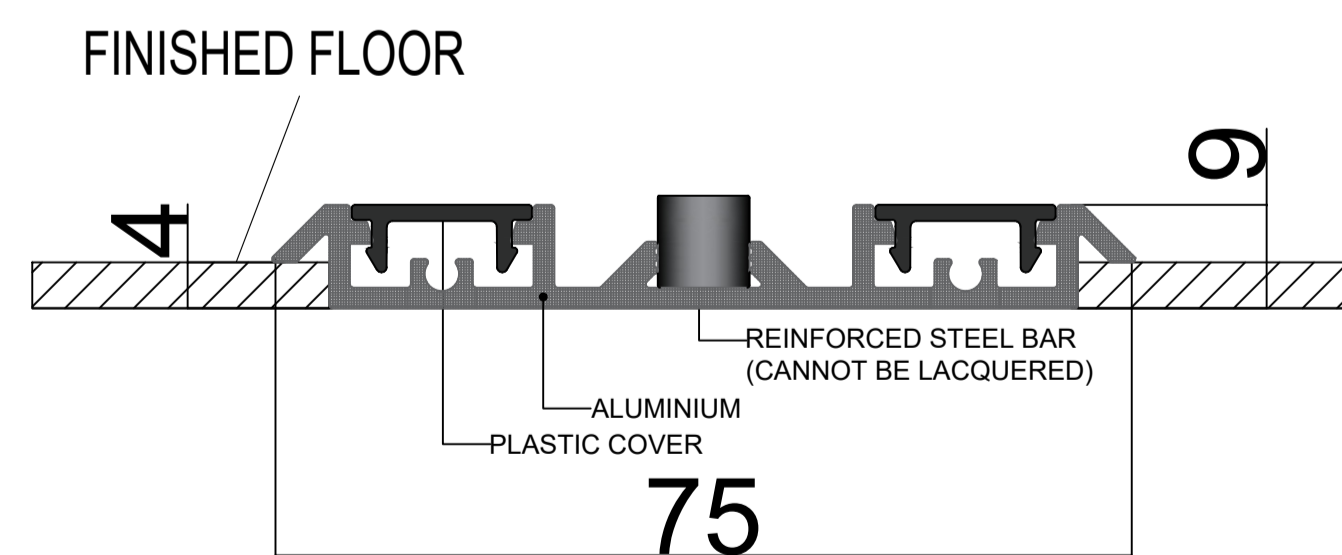
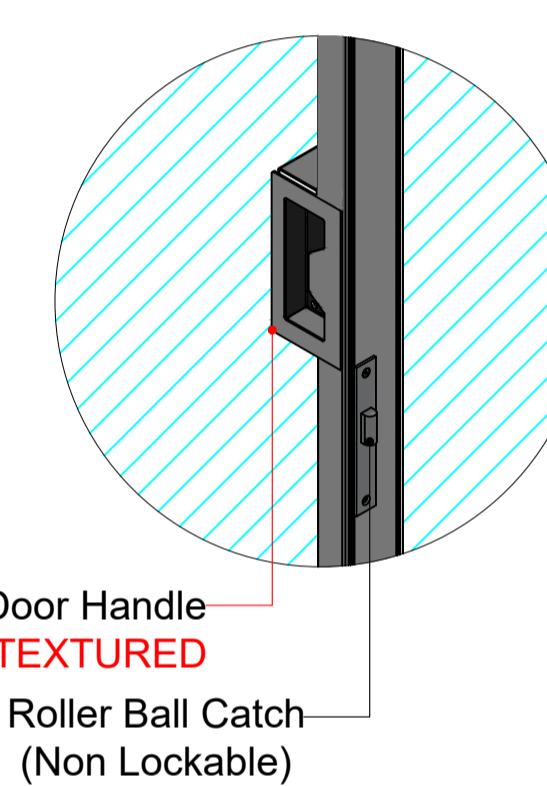
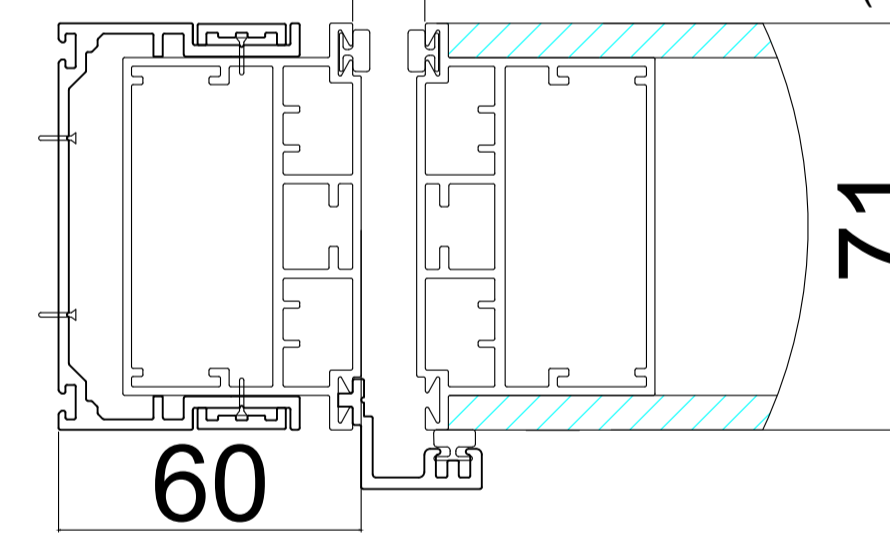
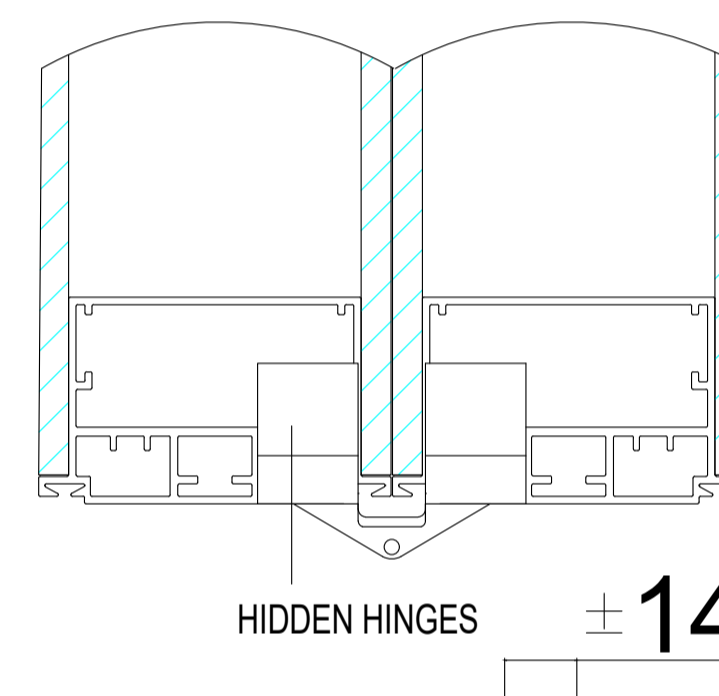
MG900 Centre Folding Hinged Sliding Folding



DETAIL A



DETAIL B



VERSION 1 DATE:

DRAWN AND CHECKED BY:



No. SETS:

OPERATION:

TYPE:

SUSPENSION:

WAVE TRACK

PANEL UNITS	QT.
START-UP PROFILE / DOOR JAMB	4
START-UP PANEL	2
MECHANISM PANEL	2
BASIC PANEL	2
DOOR SUPPORT PANEL	2
DOOR PANEL	2

PANEL FINISH:

TRACK FINISH: RAL

PROFILE FINISH: RAL

HANDLE FINISH: RAL

HEIGHT - FLOOR TO FALSE CEILING:

HEIGHT - FLOOR TO TRACK: -

WEIGHT: UNITS

OBS: mm