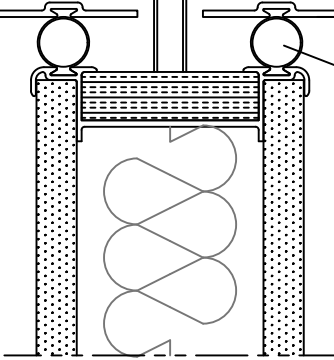
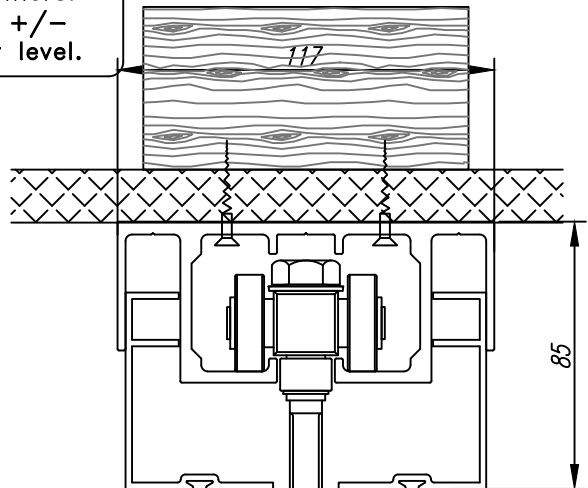
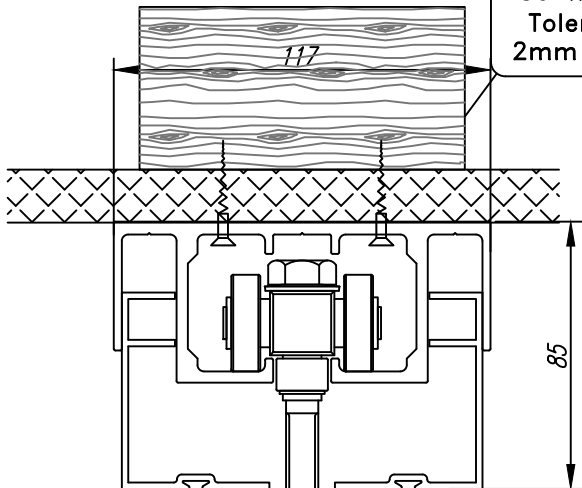


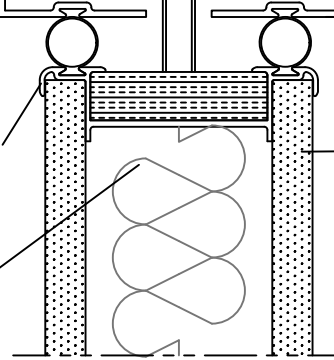
All necessary supportwork including timber head (100 x 50 min) by others. Tolerance of +/- 2mm on floor level.



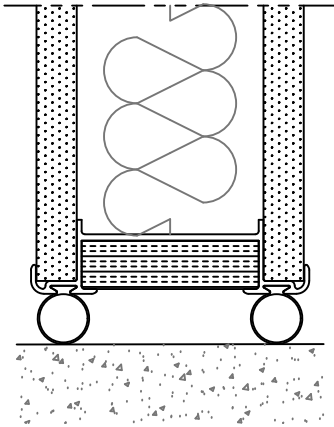
Silicone Seals

Aluminium Frame

Mineral Wool

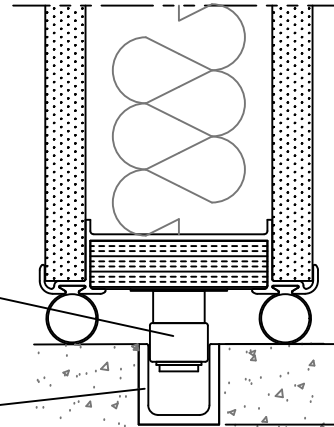


High Density Facing Board



Bottom Guide

Floor Channel



25

25

CENTREFOLD

ENDFOLD

MG200

SECTION TOP HUNG @ HEAD & BASE

ModernGlide Ltd

Unit 15A, Highway Farm, Horsley Road, Cobham, Surrey, KT11 3JZ

[www.modernglide.co.uk](http://www.modernglide.co.uk)

