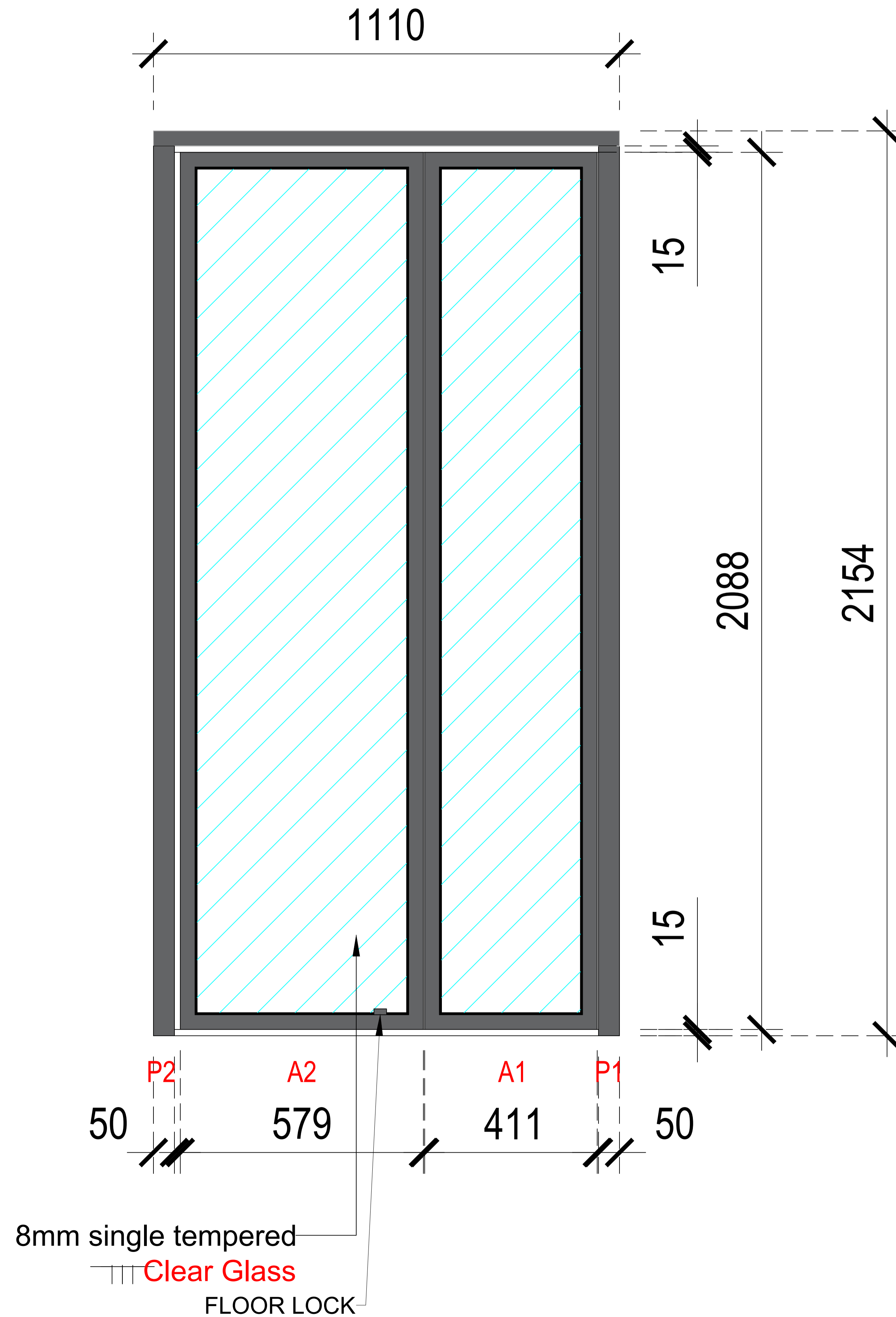
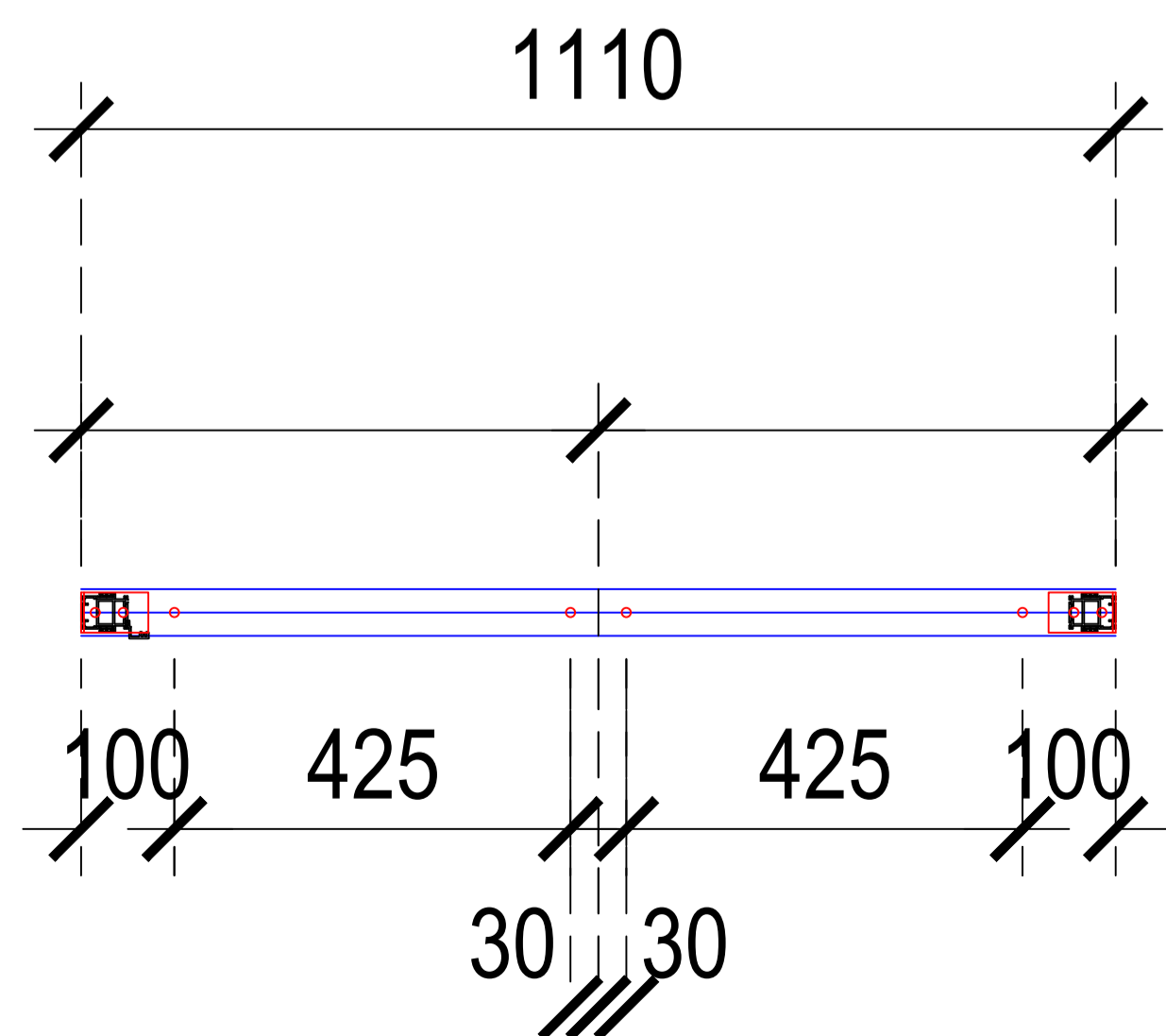
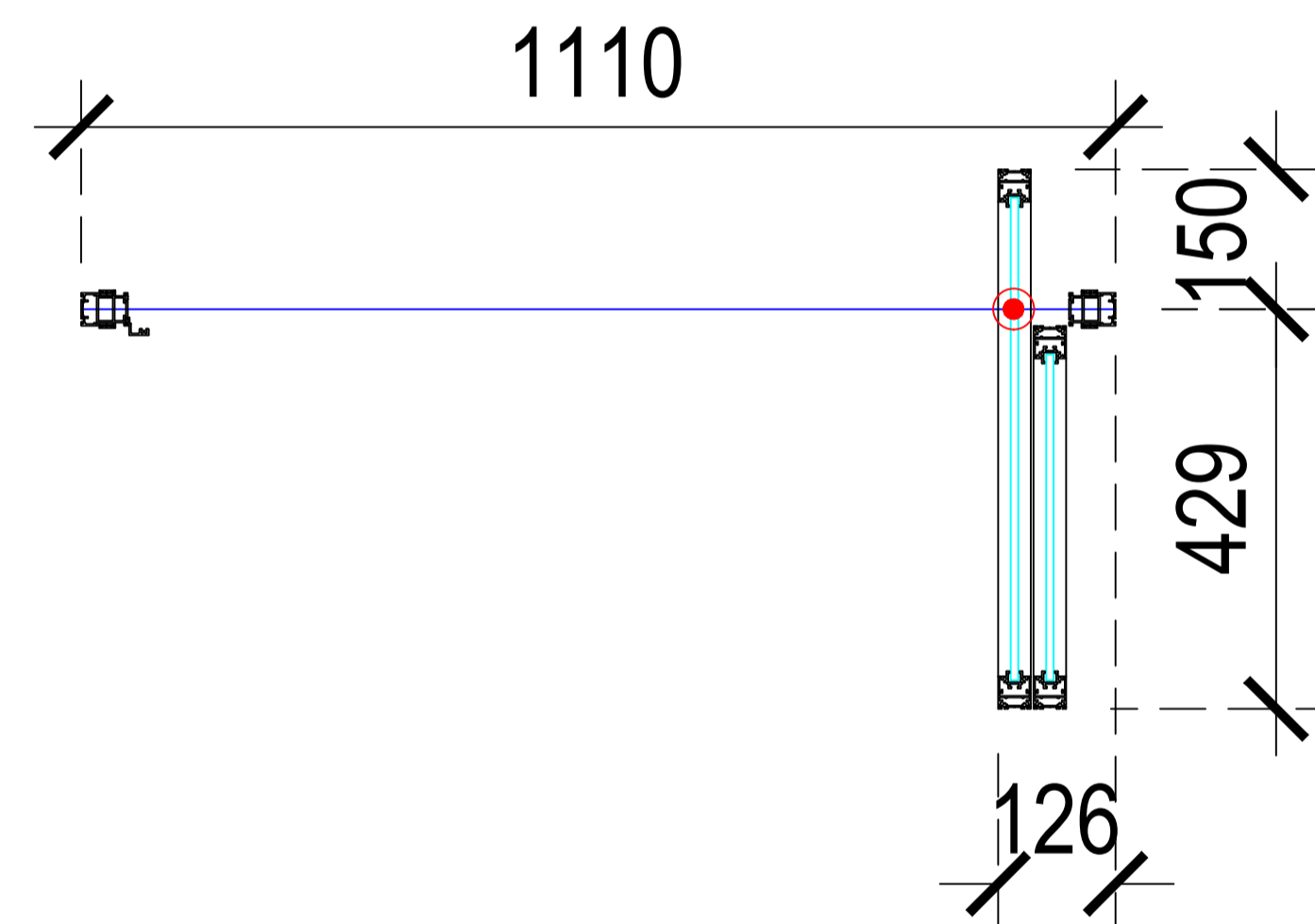
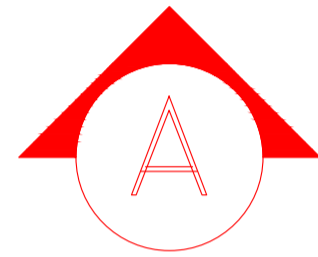
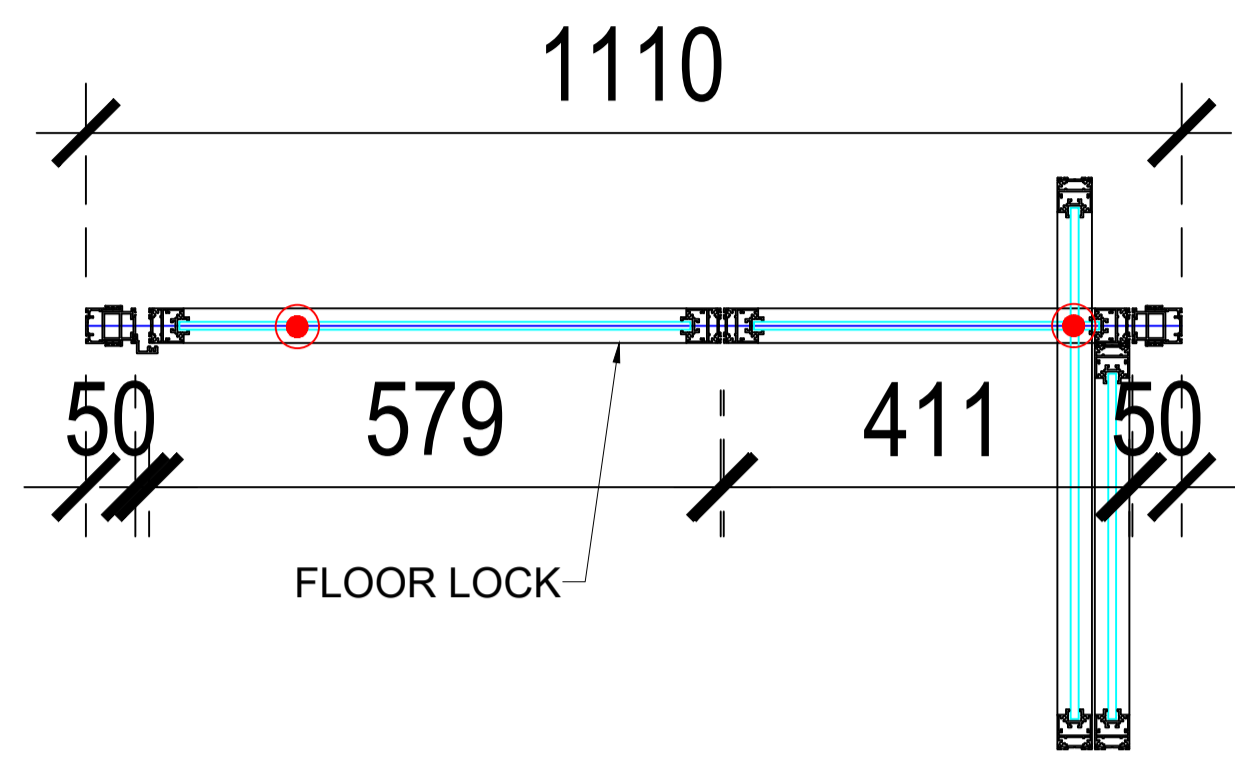


# MG900 Acoustic Booth Doors



VERSION 3

DRAWN AND CHECKED BY:



No. SETS: X

OPERATION:

TYPE:

SUSPENSION:

PANEL UNITS

QT.

PANEL W/ MECHANISM

1

START UP PANEL

1

START UP PROFILE

1

WALL PROFILE

1

PANEL FINISH: 8mm Single Tempered Clear Glass

TRACK FINISH: RAL

PROFILE FINISH: RAL

HEIGHT - FLOOR TO FALSE CEILING:

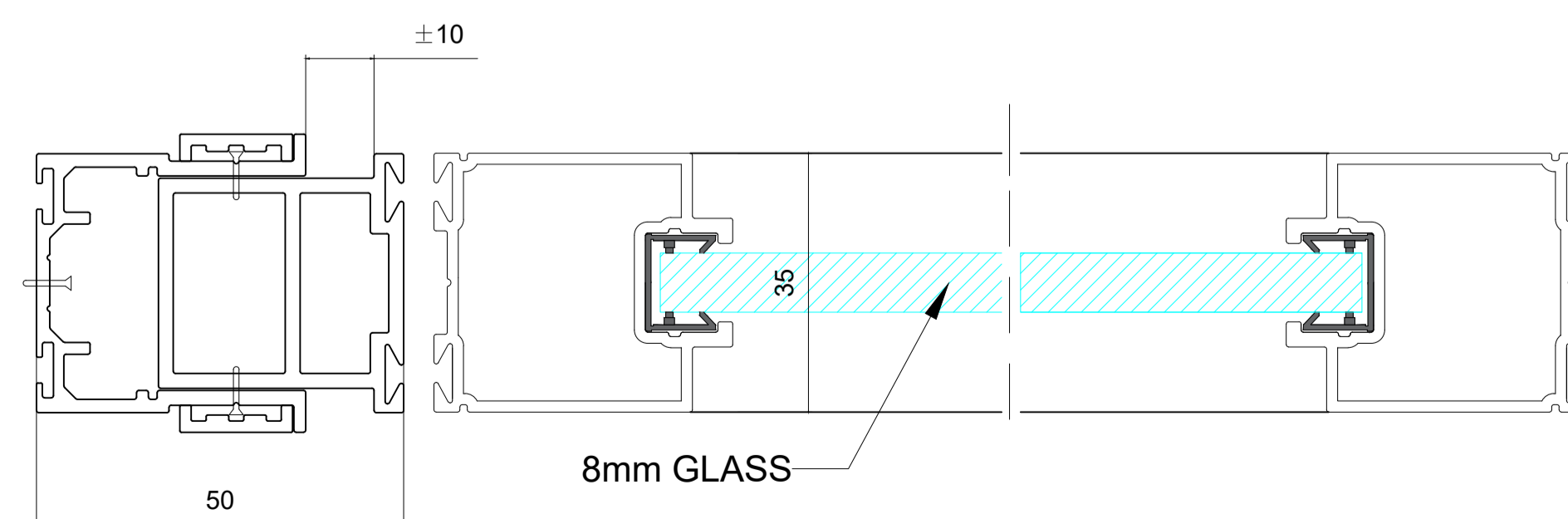
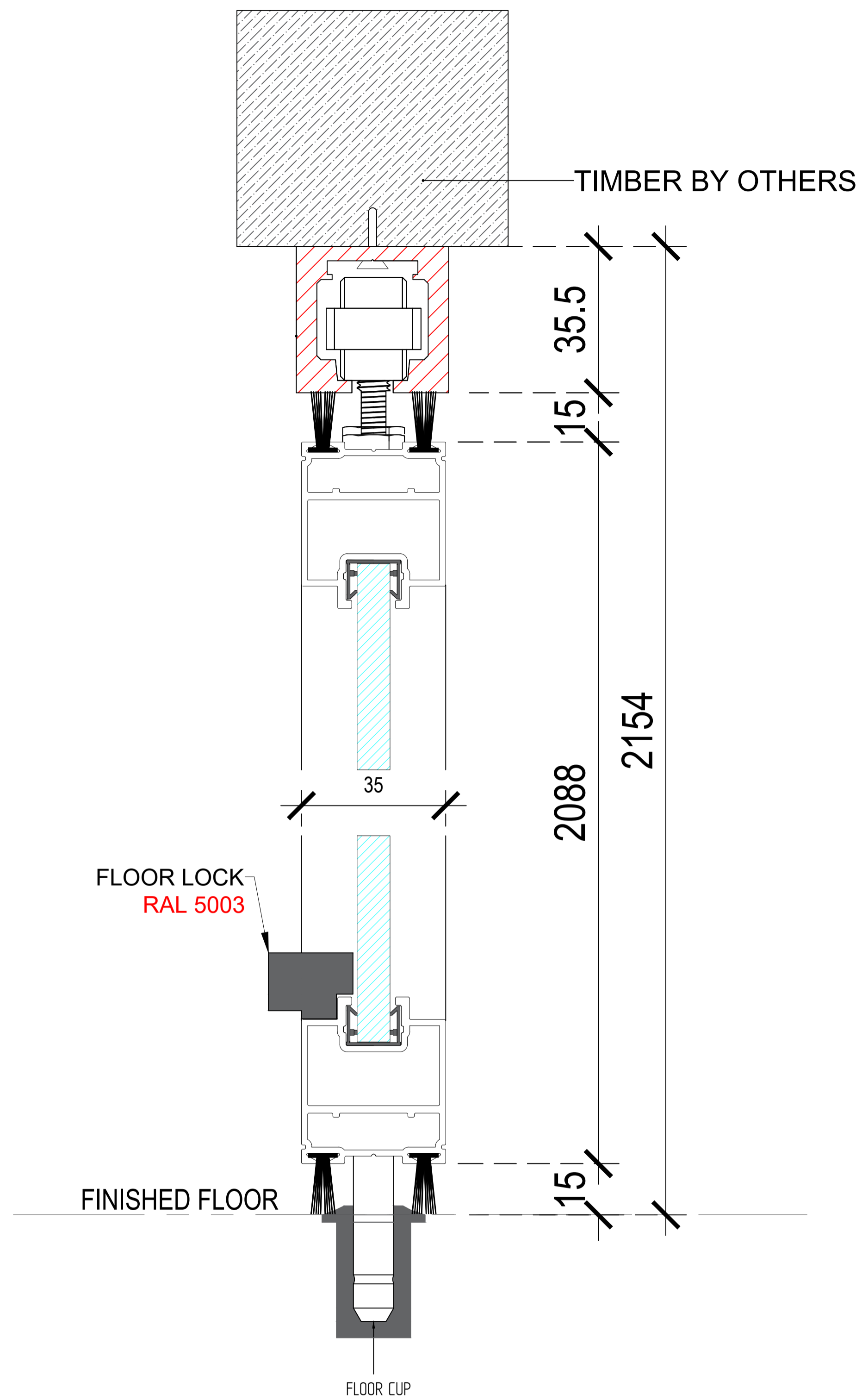
HEIGHT - FLOOR TO TRACK:

WEIGHT:

UNITS

OBS:

mm



VERSION 3

DRAWN AND CHECKED BY:



No. SETS: X	
OPERATION:	TYPE:
SUSPENSION:	

PANEL UNITS	QT.
PANEL W/ MECHANISM	1
START UP PANEL	1
START UP PROFILE	1
WALL PROFILE	1

PANEL FINISH: 8mm Single Tempered Clear Glass

TRACK FINISH: RAL

PROFILE FINISH: RAL

HEIGHT - FLOOR TO FALSE CEILING: 2154mm

HEIGHT - FLOOR TO TRACK:

WEIGHT:		UNITS
OBS:		mm